



# ANTI-VIBRATION SOLUTIONS

# About Us



BEFA TURKEY - PRODUCTION PLANT

Befa Rubber Ltd. has been producing vast variety of high quality technical rubber-metal components, vibration dampers, moulded rubber parts in Türkiye since its foundation in 2008.

Our company continues its activities in 3600 m2 closed area, located in NOSAB Industrial Region / BURSA City.

Befa Rubber Ltd. manufactures products in convenience with ISO 9001:2015 Quality Management Systems taking aim to meet all customer requirements and fulfilling the expectations of the market.

• Machinery

• Power systems

• Automotive

• White Appliance

• Cooling & Heating

• Electrics & Electronic





## DELIVERY ON TIME



Germany: Sales office and warehouse



Türkiye: Production Plant

We export our products to European countries with the principle of delivery on time, minimum cost and continues improvement in all process.

Befa exports 90% of its production with its superior quality, fast delivery, competitive structure, experienced team and strategic location.

**We keep all standard items in Germany stock to give better service to our customers in Europe.**



BEFA GERMANY - WAREHOUSE & SALES OFFICE

Our own Warehouse and Sales Office Befa GmbH keep standart products in its stock by using warehouse management system to give better service to our customers in European countries. Our customers can track the instant stocks in our warehouse on our online B2B system and get high level support from our experienced sales team



# Manufacturing

## Mould Design & Manufacturing

We design and produce our tooling by NC and CNC machines.



## CNC Machining

We process the machining of metal and plastic parts with CNC lathes.



## Metal Forming and Welding

Metal forming and welding is process using advanced production methods in our production.



## Grid Blasting

We sandblast metal parts before adhesive application to get fully clean, activate and pretreat the surface.



## Adhesive Application

The application of bonding agent is process with our fully automatic machines.



# Manufacturing

## Precision preformer

We prepare mixtures according to customer request. Mixtures are pre-form before vulcanization to reduce waste cosy according to tooling design and shape.



## Injection Molding

Our advanced technology rubber injection presses provide fully automatic loading and unloading, as well as enabling us to produce high quality.



## Compression Molding

Preformed rubber compounds and metal parts are converted into the final product in hydraulic presses by compression molding process.



## Rubber & Metal Laboratory

Mixtures are controlled by laboratory equipments to maintain standart quality. We control the stiffness and rubber to metal bonding levels among other parameters using the latest control methods.



## Packing & Delivery

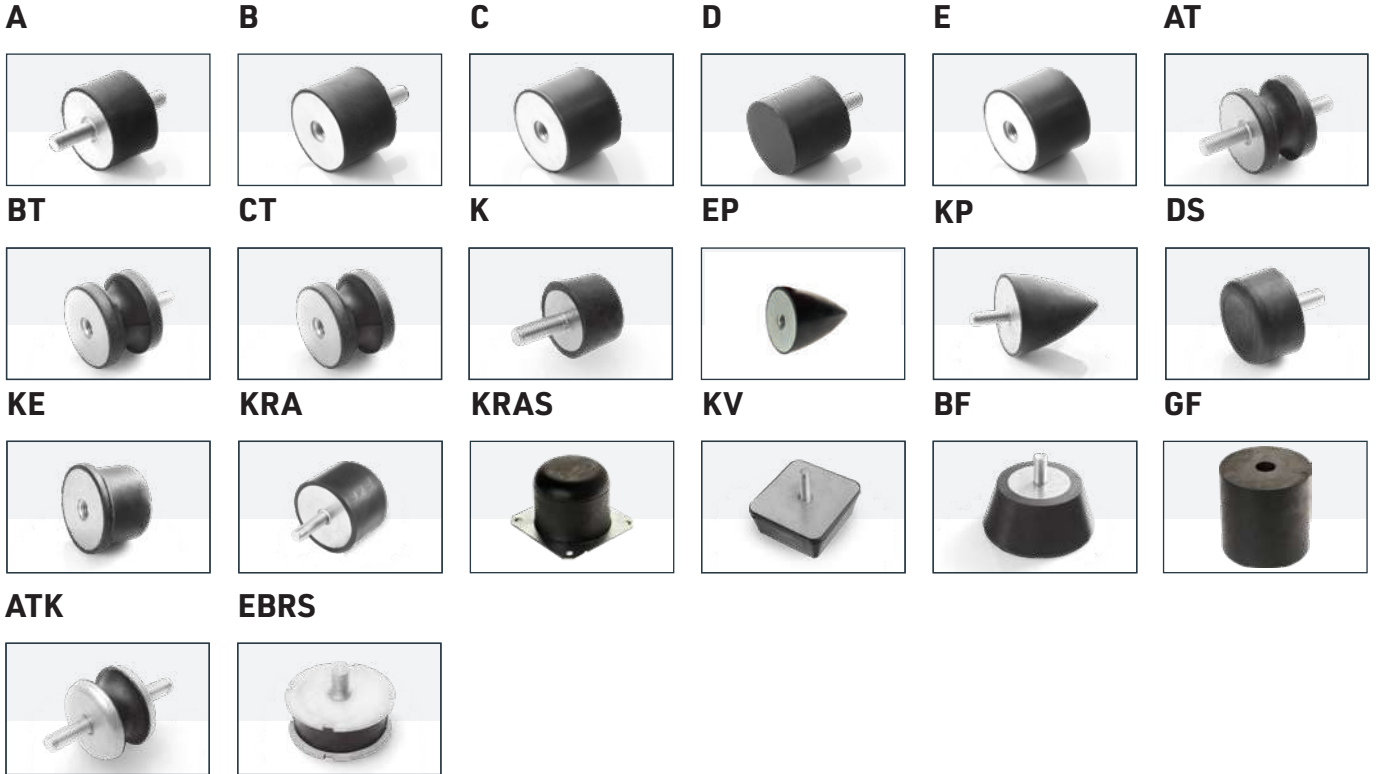
Parts are packaged according to customer requirements, ensuring safe and undamaged shipping.



# Contents

## 01 Cylindrical Mounts

Pages 12-29



## 02 Machine Mounts

Pages 30-37



## 03 Conical Mounts

Pages 38-45





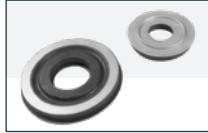
## 04 Busches & Ring Elements

Pages 46-49

**BUSCHES**

**FS**

**RP**



## 05 Rubber Pads

Pages 50-57

**TP113**

**TP127**

**TP10**

**TP12**

**TP125**

**TP124**



**TP120-MS**

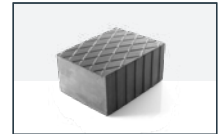
**TP120-ZM**

**ST**

**STC**

**EL**

**BL**



**RB**

**RM**



## 06 Levelling Machine Feet

Pages 58-67

**BM**

**BLS**

**BESL**

**BLMS**

**BED**

**BSL**



**BAL**

**BL**

**BEL**

**BEP10**

**BEP11**

**BEP12**



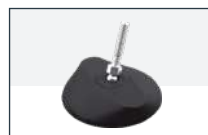
**BEP50**

**BEP60**

**BEP80**

**BEP81**

**BEP100**





## Properties of Materials

Hardness Range (Shore A)	Temperature Resistance Range°C (°F)	Short Term Peak Temperature °C (°F)	Elastomer Basic Material Chemical-Technical Description Below: (Trade Name)	Internal Description	PROPERTIES												
					Tensile Strength	Tear Resistance	Abrasion Resistance	Restoring Ability	Rebound Resilience	Ozone Resistance	Flame Resistance	Acid Resistance	Benzene & Mineral Oil Resistance	Gas Impermeability	Water Absorption Resistance	Temperature Resistance (-)	Temperature Resistance (+)
30-90	-40°+ 75 (-40°- 167°)	+ 100° (212°)	Natural Rubber	NR	2	2	2	2	1	4	5	3	5	4	3	2	4
30-90	-30°+ 120° (-22°- 248°)	+ 150° (302°)	Chloroprene (Baypren, Neoprene)	CR	2	3	2	3	2	2	2	3	3	4	4	3	
30-90	-40°+ 150° (-40°- 302°)	+ 180° (356°)	Ethylene-Propylene Terpolymer	EPDM	3	4	3	3	3	1	6	3	5	3	2	3	2
25-95	-40°+ 140° (-40°- 248°)	+ 160° (320°)	Nitrile Butadiene (Perbunan)	NBR	3	4	3	3	3	5	5	3	1	3	3	4	3
35-95	-30°+ 110° (-22°- 230°)	+ 150° (302°)	Styrene-Butadiene	SBR	3	3	2	3	3	5	5	3	5	3	3	3	3
40-80	-70°- 180° (-94°- 356°)	+ 225° (437°)	Silicone Rubber	SI	5	5	5	5	2	1	4	3	5	3	4	1	1

### NR / Natural Rubber

Natural rubber is the only non-synthetic rubber and has been in commercial use since the beginning of the 20th century. Natural Rubber is a general purpose rubber with the optimum balance of physical properties essential for high performance engineering applications. Tensile strength, elongation and abrasion resistance is excellent over a wide hardness range. It has the highest resilience of all rubbers. With its good tear strength, fatigue resistance and excellent compression set it is the ideal choice for dynamic applications at low and ambient temperatures. Natural rubber compounds are not suitable for exposure to petroleum based oils and fuels. It has poor resistance to elevated temperatures and is susceptible to attack by ozone unless specifically compounded with anti-ozonants.

### CR / Polychloroprene

Neoprene is a commercial name for polymers comprised of chloroprene. Polychloroprene's overall physical characteristics classify it as a general-purpose elastomer. Excellent aging characteristics in ozone and weather environments, along with abrasion and flex cracking resistance, justify the general-purpose categorization. Polychloroprene is alkali and acid resistant, flame retardant, and suitable for petroleum based oils. Polychloroprene is noted for good compression set resistance, excellent flex fatigue resistance, and resistance to weather and ozone. Its excellent adhesion to metals makes polychloroprene ideal for molding with metal inserts.

### EPDM / Ethylene Propylene Diene Monomer

EPDM elastomers provide excellent resistance to heat, water, steam, ozone and UV light (color stability) while providing very good low temperature flexibility properties. EPDM's are very effective for outdoor functions requiring long term weathering properties. EPDM elastomers are also suitable for use in hot water and steam environments.

### NBR / Acrylonitrile Butadiene

NBR, and nitrile all represent the same elastomer based on a butadiene and acrylonitrile copolymer. Nitrile is inherently resistant to hydraulic fluids, lubricating oils, transmission fluids and other non-polar petroleum based products due to the polar structure of this elastomer. Nitriles are also resistant to air and water environments.

### SBR / Styrene Butadiene

Styrene butadiene is a low cost, general-purpose elastomer. SBR exhibits very good flex fatigue resistance and is resistant to many polar type chemicals such as alcohols and ketones. SBR, however, is not resistant to petroleum based fluids.

### SI / Silicones

Extreme temperature range stability and low temperature flexibility are characteristics of silicone compounds. Silicones provide outstanding resistance to compression set, sunlight, ozone, oxygen, and moisture. They are very clean and are used in many food and medical applications because they do not impart odor or taste. Silicone can be compounded to be electrically resistant, conductive or flame retardant.



# CYLINDRICAL MOUNTS



01

# Type-A

## Rubber Parts

**Material:** NR - SBR - CR - NBR - EPDM

**Hardness:** 45 - 57 - 70 Shore A

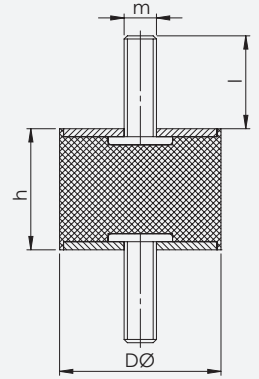
**Hardness Tolerance:** ± 5 Shore A

## Metal Parts

**Material:** DIN EN 10111-98

**Coating:** DIN EN 12329-Fe // Zn // C

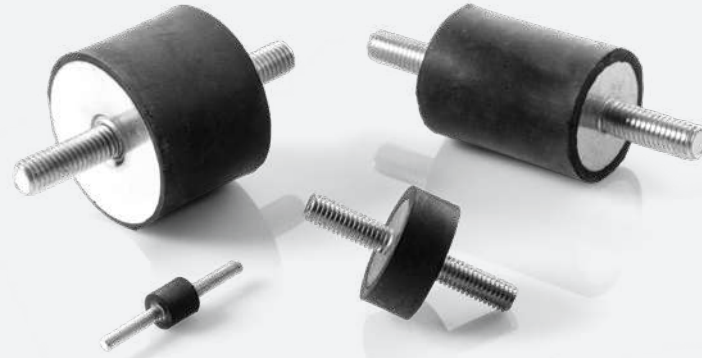
Cr+3 Zinc Coated



Ref Nr.	DØ	h	m	l	Compression Stiffness N/mm		
					45 Sh	57 Sh	70 Sh
type-A	mm	mm	metric	mm			
10607	6	7	M3	6	-	-	-
10806	8	6	M3	6	9,4	29,1	37,6
10808	8	8	M3	6	13,5	37,9	55,5
11010	10	10	M4	10	20,8	42,2	60,8
11012	10	12	M4	10	18,8	36,7	53,6
11015	10	15	M4	10	15,0	32,9	46,1
11020	10	20	M4	10	13,2	28,2	39,5
11310	13	10	M5	10	58,5	110,3	163,8
11508	15	8	M4	10	95,9	175,8	260,4
11510	15	10	M4	10	76,7	141,7	212,3
11515	15	15	M4	10	26,4	56,5	91,8
11520	15	20	M4	10	17,2	44,6	79,1
11530	15	30	M4	10	13,5	23,0	32,5
12008	20	8	M6	16	126,0	215,3	338,4
12010	20	10	M6	16	116,6	197,4	326,2
12012	20	12	M6	16	97,4	160,1	251,3
12013	20	13	M6	16	97,4	160,1	251,3
12015	20	15	M6	16	78,3	122,8	176,3
12020	20	20	M6	16	47,0	94,0	115,2
12025	20	25	M6	16	33,8	35,9	79,4
12030	20	30	M6	16	31,2	44,1	67,3
12510	25	10	M6	18	385,4	648,6	927,8
12515	25	15	M6	18	116,2	211,5	272,6

Ref Nr.	DØ	h	m	l	Compression Stiffness N/mm		
					45 Sh	57 Sh	70 Sh
type-A	mm	mm	metric	mm			
12520	25	20	M6	18	80,7	130,5	185,7
12525	25	25	M6	18	55,5	89,8	141,0
12530	25	30	M6	18	42,4	67,2	97,3
12535	25	35	M6	18	34,9	57,8	64,4
13010	30	10	M8	23	437,1	669,3	788,7
13015	30	15	M8	23	250,0	456,8	658,0
13020	30	20	M8	23	126,0	190,8	281,1
13025	30	25	M8	23	84,1	129,1	191,4
13028	30	28	M8	23	68,3	111,8	164,2
13030	30	30	M8	23	57,8	100,3	146,1
13035	30	35	M8	23	52,6	90,2	124,1
13040	30	40	M8	23	47,9	84,6	118,4
13045	30	45	M8	23	42,3	79,0	115,6
14015	40	15	M8	23	233,1	428,6	817,8
14020	40	20	M8	23	211,5	295,2	695,6
14023	40	23	M8	23	191,8	263,2	586,6
14025	40	25	M8	23	182,4	261,3	550,8
14028	40	28	M8	23	175,2	241,0	361,9
14030	40	30	M8	23	120,9	196,0	281,8
14035	40	35	M8	23	120,3	167,3	253,8
14040	40	40	M8	23	78,6	125,6	182,4
14045	40	45	M8	23	83,8	117,5	179,2
14535	45	35	M8	23	161,6	223,8	337,9

## Cylindrical Mounts



Ref Nr.	DØ	h	m	l	Compression Stiffness N/mm		
					45 Sh	57 Sh	70 Sh
type-A	mm	mm	metric	mm			
15015	50	15	M10	28	677,7	1264,3	1918,5
15020	50	20	M10	28	502,2	930,0	1498,2
15025	50	25	M10	28	298,5	543,6	792,2
15030	50	30	M10	28	204,6	369,2	531,0
15035	50	35	M10	28	202,9	280,2	422,0
15040	50	40	M10	28	136,7	242,7	344,1
15043	50	43	M10	28	124,2	210,6	317,1
15045	50	45	M10	28	111,6	178,6	290,2
15050	50	50	M10	28	95,8	160,9	247,4
16020	60	20	M10	28	891,1	1177,8	1712,7
16025	60	25	M10	28	661,8	881,7	1290,6
16030	60	30	M10	28	432,4	585,6	868,6
16035	60	35	M10	28	318,7	435,2	651,4
16040	60	40	M10	28	251,0	346,9	521,7
16045	60	45	M10	28	207,7	288,6	436,2
16050	60	50	M10	28	131,6	188,0	470,0
16535	65	35	M12	37	397,2	540,5	805,1
17015	70	15	M12	37	961,6	1504,0	3008,0
17025	70	25	M12	37	651,0	910,0	1931,3
17030	70	30	M12	37	664,6	890,2	1309,4
17035	70	35	M12	37	475,6	645,8	958,8
17040	70	40	M12	37	368,5	504,8	754,8
17050	70	50	M12	37	253,8	351,6	445,6

Ref Nr.	DØ	h	m	l	Compression Stiffness N/mm		
					45 Sh	57 Sh	70 Sh
type-A	mm	mm	metric	mm			
17060	70	60	M12	37	171,1	206,8	366,6
17070	70	70	M12	37	150,4	178,6	293,3
17530	75	30	M12	37	614,8	961,6	1554,8
17535	75	35	M12	37	376,0	658,0	1034,0
17550	75	50	M12	37	261,3	470,6	683,6
17555	75	55	M12	37	226,9	408,3	594,3
17570	75	70	M12	37	115,5	182,0	371,0
18030	80	30	M14	37	981,4	1301,9	1900,7
18040	80	40	M14	37	517,9	708,8	1053,7
18050	80	50	M14	37	432,4	593,8	885,2
18080	80	80	M14	37	177,7	249,1	379,8
110030	100	30	M16	42	2379,1	3090,7	4431,2
110040	100	40	M16	42	916,1	1817,2	2709,1
110050	100	50	M16	42	595,2	1239,7	1519,6
110055	100	55	M16	42	492,9	878,9	1239,7
110070	100	70	M16	42	337,4	617,3	884,0
110075	100	75	M16	42	285,5	530,1	765,4
110080	100	80	M16	42	260,4	476,2	690,1
115050	150	50	M20	45	1416,8	2473,4	3685,2
115060	150	60	M20	45	1324,3	2312,0	3444,7
115075	150	75	M20	45	799,8	1153,2	2079,5
1150100	150	100	M20	45	914,3	1674,6	2380,4
1200100	200	100	M20	45	1039,7	1903,7	2705,4

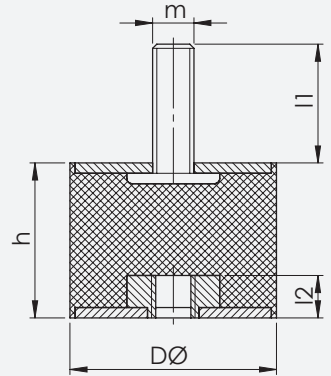
# Type-B

## Rubber Parts

**Material:** NR - SBR - CR - NBR - EPDM  
**Hardness:** 45 - 57 - 70 Shore A  
**Hardness Tolerance:** ± 5 Shore A

## Metal Parts

**Material:** DIN EN 10111-98  
**Coating:** DIN EN 12329-Fe // Zn // C  
 Cr+3 Zinc Coated

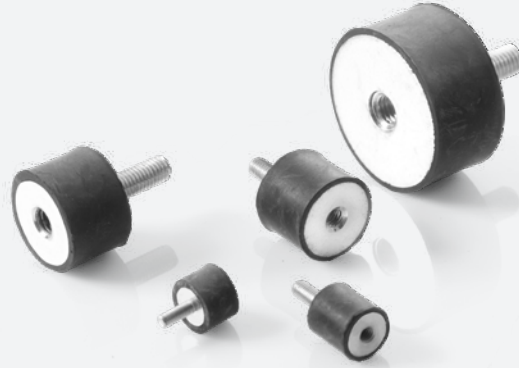


Ref Nr.	DØ	h	m	l1	l2	Compression Stiffness N/mm		
						45 Sh	57 Sh	70 Sh
type-B	mm	mm	metric	mm	mm			
20808	8	8	M3	6	3	13,7	38,3	56,1
21012	10	12	M4	10	4	19,0	37,1	54,2
21015	10	15	M4	10	4	15,2	33,3	46,6
21020	10	20	M4	10	4	13,3	28,5	39,9
21310	13	10	M5	10	5	59,1	111,5	165,6
21510	15	10	M4	10	4	77,5	143,2	214,5
21515	15	15	M4	10	4	26,7	57,1	92,8
21520	15	20	M4	10	4	17,4	45,1	79,9
21530	15	30	M4	10	4	13,7	23,3	32,9
22010	20	10	M6	16	6	117,8	199,5	329,7
22012	20	12	M6	16	6	98,5	161,8	253,9
22013	20	13	M6	16	6	98,5	161,8	253,9
22015	20	15	M6	16	6	79,1	124,1	178,2
22020	20	20	M6	16	6	47,5	79,2	116,4
22025	20	25	M6	16	6	34,2	36,3	80,3
22030	20	30	M6	16	6	31,6	44,6	68,1
22510	25	10	M6	18	6	389,5	655,5	937,7
22515	25	15	M6	18	6	117,4	213,8	275,5
22520	25	20	M6	18	6	81,6	131,9	187,6
22525	25	25	M6	18	6	56,1	90,7	142,5
22530	25	30	M6	18	6	42,9	67,9	98,3
22535	25	35	M6	18	6	35,3	58,4	65,1
23015	30	15	M8	23	8	252,7	461,7	665,0

Ref Nr.	DØ	h	m	l1	l2	Compression Stiffness N/mm		
						45 Sh	57 Sh	70 Sh
type-B	mm	mm	metric	mm	mm			
23020	30	20	M8	23	8	127,3	192,9	284,1
23025	30	25	M8	23	8	85,0	130,4	193,4
23028	30	28	M8	23	8	69,1	113,0	165,9
23030	30	30	M8	23	8	58,4	101,4	147,6
23035	30	35	M8	23	8	53,2	91,2	125,4
23040	30	40	M8	23	8	48,5	85,5	119,7
23045	30	45	M8	23	8	42,8	79,8	116,9
24015	40	15	M8	23	8	235,6	433,2	826,5
24020	40	20	M8	23	8	213,8	298,3	703,0
24023	40	23	M8	23	8	193,8	266,0	592,8
24025	40	25	M8	23	8	184,3	264,1	556,7
24028	40	28	M8	23	8	177,1	243,6	365,8
24030	40	30	M8	23	8	122,2	180,5	284,8
24035	40	35	M8	23	8	121,6	169,1	256,5
24040	40	40	M8	23	8	79,4	126,9	184,3
24045	40	45	M8	23	8	84,6	118,8	181,1
24535	45	35	M8	23	8	163,4	226,1	341,5
25020	50	20	M10	28	10	507,6	940,0	1514,3
25025	50	25	M10	28	10	301,7	549,4	800,7
25030	50	30	M10	28	10	206,8	373,2	536,7
25035	50	35	M10	28	10	205,1	283,2	426,5
25040	50	40	M10	28	10	138,2	245,3	347,8
25043	50	43	M10	28	10	125,5	212,9	320,5



## Cylindrical Mounts



Ref Nr.	DØ	h	m	l1	l2	Compression Stiffness N/mm		
						45 Sh	57 Sh	70 Sh
type-B	mm	mm	metric	mm	mm			
25045	50	45	M10	28	10	112,8	180,5	293,3
25050	50	50	M10	28	10	97,9	164,4	252,7
26020	60	20	M10	28	10	900,6	1193,9	1730,9
26025	60	25	M10	28	10	668,8	891,1	1304,4
26030	60	30	M10	28	10	437,0	591,9	877,8
26035	60	35	M10	28	10	322,1	439,9	658,4
26040	60	40	M10	28	10	253,7	350,6	527,3
26045	60	45	M10	28	10	210,0	291,7	440,8
26050	60	50	M10	28	10	133,0	190,0	475,0
26535	65	35	M12	37	12	401,4	546,3	813,7
27030	70	30	M12	37	12	671,7	899,7	1323,4
27035	70	35	M12	37	12	480,7	652,7	969,0
27040	70	40	M12	37	12	372,4	510,2	762,9
27050	70	50	M12	37	12	256,5	355,3	450,3
27060	70	60	M12	37	12	172,9	209,0	370,5
27070	70	70	M12	37	12	152,0	180,5	296,4
27525	75	25	M12	37	12	883,5	1177,8	2621,1
27530	75	30	M12	37	12	671,7	899,7	1323,4
27535	75	35	M12	37	12	380,0	665,0	1045,0
27540	75	40	M12	37	12	309,7	598,5	845,5
27550	75	50	M12	37	12	264,1	475,6	690,9
27555	75	55	M12	37	12	229,4	412,7	600,7
27570	75	70	M12	37	12	155,1	244,4	498,2

Ref Nr.	DØ	h	m	l1	l2	Compression Stiffness N/mm		
						45 Sh	57 Sh	70 Sh
type-B	mm	mm	metric	mm	mm			
28030	80	30	M14	37	14	991,8	1301,9	1920,9
28040	80	40	M14	37	14	523,5	716,3	1065,0
28050	80	50	M14	37	14	437,0	600,2	894,7
28080	80	80	M14	37	14	179,6	251,8	383,8
210040	100	40	M16	42	16	925,9	1478,5	2738,2
210050	100	50	M16	42	16	601,6	1324,2	1536,0
210055	100	55	M16	42	16	498,2	888,3	1253,0
210070	100	70	M16	42	16	341,0	623,9	893,5
210075	100	75	M16	42	16	291,7	541,5	781,9
210080	100	80	M16	42	16	263,2	481,3	697,5
215050	150	50	M20	45	20	1503,4	2547,1	3784,2
215060	150	60	M20	45	20	1338,6	2336,8	3481,8
215075	150	75	M20	45	20	808,4	1165,6	2101,8
2150100	150	100	M20	45	20	914,3	1674,6	2380,4
2200100	200	100	M20	45	20	1050,9	1924,2	2734,5

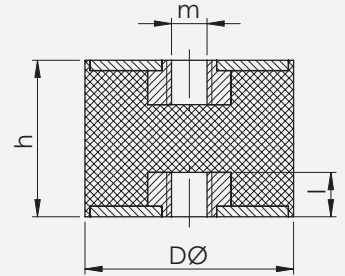
# Type-C

## Rubber Parts

**Material:** NR - SBR - CR - NBR - EPDM  
**Hardness:** 45 - 57 - 70 Shore A  
**Hardness Tolerance:** ± 5 Shore A

## Metal Parts

**Material:** DIN EN 10111-98  
**Coating:** DIN EN 12329-Fe // Zn // C  
 Cr+3 Zinc Coated



Ref Nr.	DØ	h	m	l	Compression Stiffness N/mm		
					45 Sh	57 Sh	70 Sh
type-C	mm	mm	metric	mm			
30808	8	8	M3	3	15,8	44,3	64,9
31012	10	12	M4	4	22,0	42,9	62,7
31015	10	15	M4	4	17,6	38,5	53,9
31020	10	20	M4	4	15,4	33,0	46,2
31515	15	15	M4	4	30,9	66,1	107,5
31520	15	20	M4	4	20,1	52,2	92,5
31530	15	30	M4	4	15,8	27,0	38,1
32020	20	20	M6	6	55,0	91,7	134,8
32025	20	25	M6	6	39,6	42,0	93,0
32030	20	30	M6	6	33,3	46,9	71,7
32520	25	20	M6	6	94,5	152,7	217,3
32525	25	25	M6	6	64,9	105,1	165,0
32530	25	30	M6	6	49,7	78,7	113,9
32535	25	35	M6	6	40,9	67,7	75,4
33020	30	20	M8	8	147,4	223,3	328,9
33025	30	25	M8	8	98,5	151,0	224,0
33028	30	28	M8	8	80,0	130,8	192,1
33030	30	30	M8	8	67,7	117,4	170,9
33035	30	35	M8	8	61,6	105,6	145,2
33040	30	40	M8	8	56,1	99,0	138,6

Ref Nr.	DØ	h	m	l	Compression Stiffness N/mm		
					45 Sh	57 Sh	70 Sh
type-C	mm	mm	metric	mm			
33045	30	45	M8	8	49,5	92,4	135,3
34023	40	23	M8	8	224,4	308,0	686,4
34025	40	25	M8	8	213,4	305,8	644,6
34028	40	28	M8	8	205,0	282,0	423,5
24030	40	30	M8	8	128,7	190,1	300,0
34035	40	35	M8	8	140,8	195,8	297,0
34040	40	40	M8	8	83,7	133,7	194,1
34045	40	45	M8	8	98,0	137,5	209,7
34535	45	35	M8	8	189,1	261,9	395,4
35030	50	30	M10	10	217,8	393,0	565,3
35035	50	35	M10	10	213,7	295,1	444,4
35040	50	40	M10	10	145,5	258,4	366,3
35043	50	43	M10	10	132,2	224,2	337,6
35045	50	45	M10	10	118,8	190,1	308,9
35050	50	50	M10	10	102,0	171,3	263,3
36030	60	30	M10	10	506,0	685,3	1016,4
36035	60	35	M10	10	372,9	509,3	762,3
36040	60	40	M10	10	293,7	405,9	610,5
36045	60	45	M10	10	243,1	337,7	510,4
36050	60	50	M10	10	154,0	220,0	550,0

## Cylindrical Mounts



Ref Nr.	DØ	h	m	l	Compression Stiffness N/mm		
					45 Sh	57 Sh	70 Sh
type-C	mm	mm	metric	mm			
36535	65	35	M12	12	464,8	632,5	942,2
37030	70	30	M12	12	777,7	1041,7	1532,3
37035	70	35	M12	12	556,6	755,7	1122,0
37040	70	40	M12	12	431,2	590,7	883,3
37050	70	50	M12	12	297,0	411,4	521,4
37060	70	60	M12	12	200,2	242,0	429,0
37070	70	70	M12	12	176,0	209,0	343,2
37530	75	30	M12	12	719,4	1125,3	1819,4
37535	75	35	M12	12	440,0	770,0	1210,0
37540	75	40	M12	12	396,0	671,0	992,2
37550	75	50	M12	12	278,2	500,9	727,7
37555	75	55	M12	12	241,6	434,6	632,6
37570	75	70	M12	12	148,5	234,0	477,0
38030	80	30	M14	14	1108,7	1523,5	2224,2
38040	80	40	M14	14	606,1	829,4	1233,1
38050	80	50	M14	14	506,0	694,9	1035,9
38080	80	80	M14	14	207,9	291,5	444,4
310040	100	40	M16	16	975,2	1934,5	2883,9
310050	100	50	M16	16	633,6	1319,7	1617,7
310055	100	55	M16	16	524,7	935,6	1319,7

Ref Nr.	DØ	h	m	l	Compression Stiffness N/mm		
					45 Sh	57 Sh	70 Sh
type-C	mm	mm	metric	mm			
310070	100	70	M16	16	358,4	656,4	940,5
310075	100	75	M16	16	303,9	564,3	814,8
310080	100	80	M16	16	277,2	506,9	734,6
315050	150	50	M20	20	1566,2	2534,7	3750,8
315060	150	60	M20	20	1409,8	2461,1	3667,0
315075	150	75	M20	20	851,4	1227,6	2213,6
3200100	200	100	M20	20	1106,8	2026,5	2879,9

# Type-D

## Rubber Parts

**Material:** NR - SBR - CR - NBR - EPDM

**Hardness:** 45 - 57 - 70 Shore A

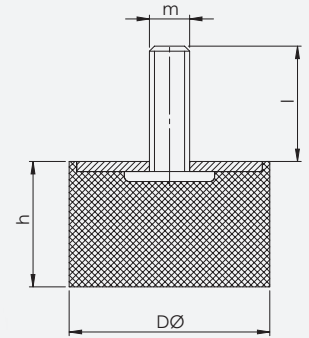
**Hardness Tolerance:** ± 5 Shore A

## Metal Parts

**Material:** DIN EN 10111-98

**Coating:** DIN EN 12329-Fe // Zn // C

Cr+3 Zinc Coated



±

Ref Nr.	DØ	h	m	l	Compression Stiffness N/mm		
					45 Sh	57 Sh	70 Sh
type-D	mm	mm	metric	mm			
40607	6	7	M3	6	0,0	0,0	0,0
40806	8	6	M3	6	26,6	49,4	87,4
40808	8	8	M3	6	18,0	36,0	72,9
41010	10	10	M4	10	18,9	38,0	52,3
41012	10	12	M4	10	18,9	38,0	52,3
41015	10	15	M4	10	16,2	34,2	45,6
41020	10	20	M4	10	14,4	31,4	39,0
41310	13	10	M5	10	27,0	49,5	90,0
41508	15	8	M4	10	94,0	128,8	191,8
41510	15	10	M4	10	81,8	116,6	173,0
41515	15	15	M4	10	34,2	48,3	73,6
41520	15	20	M4	10	23,5	38,5	56,4
41530	15	30	M4	10	13,3	25,7	37,1
42007	20	7	M6	16	245,3	325,2	474,7
42008	20	8	M6	16	245,3	325,2	474,7
42011	20	11	M6	16	118,9	161,7	241,6
42012	20	12	M6	16	100,6	138,2	206,8
42013	20	13	M6	16	83,7	115,6	173,9
42015	20	15	M6	16	70,0	95,9	144,8
42020	20	20	M6	16	46,1	57,0	97,8
42025	20	25	M6	16	34,8	47,9	74,3
42030	20	30	M6	16	27,3	39,5	60,2
42510	25	10	M6	18	306,4	407,0	594,1
42515	25	15	M6	18	126,0	173,0	258,5

Ref Nr.	DØ	h	m	l	Compression Stiffness N/mm		
					45 Sh	57 Sh	70 Sh
type-D	mm	mm	metric	mm			
42520	25	20	M6	18	79,0	109,0	165,4
42526	25	26	M6	18	57,3	90,0	122,2
42530	25	30	M6	18	45,6	63,9	97,8
42535	25	35	M6	18	32,9	48,9	75,2
43010	30	10	M8	23	625,1	815,0	1128,4
43015	30	15	M8	23	216,2	293,3	434,3
43020	30	20	M8	23	126,0	160,0	261,3
43025	30	25	M8	23	93,1	129,7	200,2
43028	30	28	M8	23	76,1	106,2	160,7
43030	30	30	M8	23	69,6	87,0	147,6
43035	30	35	M8	23	57,3	79,9	123,1
43040	30	40	M8	23	47,9	67,7	103,4
43045	30	45	M8	23	42,3	47,9	70,5
44015	40	15	M8	23	315,0	631,2	1080,0
44020	40	20	M8	23	261,3	354,4	526,4
44023	40	23	M8	23	188,9	267,0	418,3
44025	40	25	M8	23	175,2	241,3	361,9
44028	40	28	M8	23	146,6	202,8	425,0
44030	40	30	M8	23	132,1	183,3	277,3
44035	40	35	M8	23	106,2	148,5	225,6
44040	40	40	M8	23	89,3	120,5	189,9
44045	40	45	M8	23	77,1	108,1	164,5
44535	45	35	M8	23	148,5	194,6	310,2
45015	50	15	M10	28	576,3	632,8	787,3



## Cylindrical Mounts



Ref Nr.	DØ	h	m	l	Compression Stiffness N/mm		
					45 Sh	57 Sh	70 Sh
type-D	mm	mm	metric	mm			
45020	50	20	M10	28	482,2	623,4	949,4
45025	50	25	M10	28	308,3	419,2	624,2
45030	50	30	M10	28	225,6	310,2	420,0
45035	50	35	M10	28	177,7	245,3	370,4
45040	50	40	M10	28	146,6	204,0	310,2
45043	50	43	M10	28	137,2	191,8	290,5
45045	50	45	M10	28	125,0	174,8	266,0
45050	50	50	M10	28	90,0	144,0	301,5
46025	60	25	M10	28	332,4	456,8	710,4
46030	60	30	M10	28	229,5	391,5	860,4
46035	60	35	M10	28	263,2	361,9	543,3
46040	60	40	M10	28	235,0	319,6	459,7
46045	60	45	M10	28	188,9	262,3	397,6
46050	60	50	M10	28	161,7	204,0	370,4
46535	65	35	M12	37	333,7	457,8	684,3
47030	70	30	M12	37	504,2	630,8	889,3
47035	70	35	M12	37	405,8	553,7	825,3
47040	70	40	M12	37	275,5	503,5	676,4
47050	70	50	M12	37	233,1	322,4	488,8
47060	70	60	M12	37	190,8	261,3	428,6
47070	70	70	M12	37	150,4	209,6	320,5
47515	75	15	M12	37	3858,7	4919,0	6937,2
47525	75	25	M12	37	961,6	1274,6	1858,4
47530	75	30	M12	37	712,5	103,4	1449,5

Ref Nr.	DØ	h	m	l	Compression Stiffness N/mm		
					45 Sh	57 Sh	70 Sh
type-D	mm	mm	metric	mm			
47535	75	35	M12	37	456,0	798,0	1149,5
47540	75	40	M12	37	385,4	528,3	791,5
47550	75	50	M12	37	273,5	378,8	571,5
47555	75	55	M12	37	238,8	331,8	502,9
47570	75	70	M12	37	88,2	176,4	378,0
48020	80	20	M14	37	1180,6	1554,8	1880,9
48030	80	30	M14	37	782,1	1046,2	1537,8
48040	80	40	M14	37	455,0	621,3	926,8
48050	80	50	M14	37	282,9	394,8	671,2
48080	80	80	M14	37	170,1	238,8	363,8
410030	100	30	M16	42	990,0	1558,8	2790,0
410040	100	40	M16	42	868,6	1167,5	1722,1
410050	100	50	M16	42	507,6	1489,0	2125,3
410055	100	55	M16	42	355,5	585,0	1080,0
410070	100	70	M16	42	280,8	486,9	850,5
410075	100	75	M16	42	266,4	392,4	801,9
410080	100	80	M16	42	207,9	288,0	621,0
415050	150	50	M20	45	1416,8	2473,4	3685,2
415060	150	60	M20	45	1324,3	2312,0	3444,7
415075	150	75	M20	45	468,0	882,9	1800,0
4150100	150	100	M20	45	914,3	1674,6	2380,4
4200100	200	100	M20	45	990,0	1440,0	2250,0

# Type-E

## Rubber Parts

**Material:** NR - SBR - CR - NBR - EPDM

**Hardness:** 45 - 57 - 70 Shore A

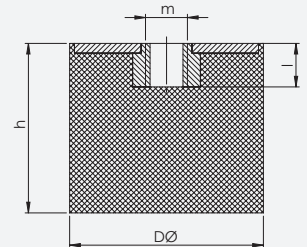
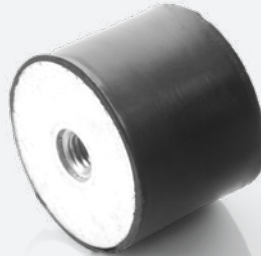
**Hardness Tolerance:**  $\pm 5$  Shore A

## Metal Parts

**Material:** DIN EN 10111-98

**Coating:** DIN EN 12329-Fe // Zn // C

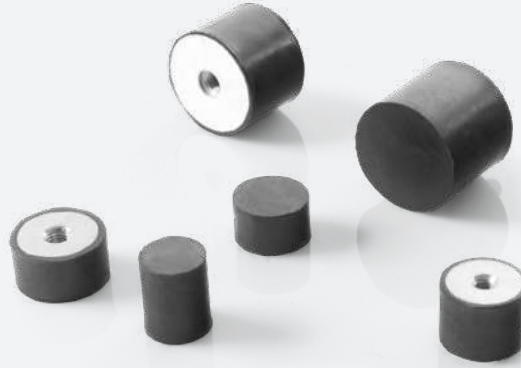
Cr+3 Zinc Coated



Ref Nr.	DØ	h	m	l	Compression Stiffness N/mm		
					45 Sh	57 Sh	70 Sh
type-E	mm	mm	metric	mm			
50808	8	8	M3	3	22,0	43,9	88,9
51010	10	10	M4	4	23,9	45,6	62,7
51012	10	12	M4	4	23,9	45,6	62,7
51015	10	15	M4	4	20,5	41,0	54,7
51020	10	20	M4	4	18,2	37,6	46,7
51310	13	10	M5	5	32,9	60,4	109,8
51508	15	8	M4	4	114,0	156,2	232,6
51510	15	10	M4	4	99,2	141,4	209,8
51515	15	15	M4	4	41,5	58,6	89,3
51520	15	20	M4	4	28,5	46,7	68,4
51530	15	30	M4	4	16,0	30,8	44,5
52008	20	8	M6	6	297,5	394,4	575,7
52010	20	10	M6	6	144,2	196,1	293,0
52012	20	12	M6	6	122,0	167,6	250,8
52013	20	13	M6	6	101,5	140,2	210,9
52015	20	15	M6	6	84,4	116,3	175,6
52020	20	20	M6	6	55,9	77,5	118,6
52025	20	25	M6	6	42,2	58,1	90,1
52030	20	30	M6	6	33,1	47,9	73,0
52510	25	10	M6	6	371,6	493,6	720,5
52515	25	15	M6	6	152,8	209,8	313,5
52520	25	20	M6	6	95,8	132,2	200,6
52525	25	25	M6	6	69,5	96,9	148,2

Ref Nr.	DØ	h	m	l	Compression Stiffness N/mm		
					45 Sh	57 Sh	70 Sh
type-E	mm	mm	metric	mm			
52530	25	30	M6	6	55,3	77,5	118,6
52535	25	35	M6	6	39,9	59,3	91,2
53010	30	10	M8	8	758,1	988,4	1421,6
53015	30	15	M8	8	262,2	355,7	526,7
53020	30	20	M8	8	152,8	210,9	316,9
53025	30	25	M8	8	112,9	157,3	242,8
53028	30	28	M8	8	92,3	128,8	194,9
53030	30	30	M8	8	84,4	117,4	179,0
53035	30	35	M8	8	69,5	96,9	149,3
53040	30	40	M8	8	58,1	82,1	125,4
53045	30	45	M8	8	51,3	58,1	85,5
54015	40	15	M8	8	384,3	779,6	1317,6
54020	40	20	M8	8	316,9	429,8	638,4
54023	40	23	M8	8	229,1	323,8	507,3
54025	40	25	M8	8	212,5	292,6	438,9
54028	40	28	M8	8	177,8	245,9	370,5
54030	40	30	M8	8	160,2	222,3	336,3
54035	40	35	M8	8	128,8	180,1	273,6
54040	40	40	M8	8	108,3	151,6	230,3
54045	40	45	M8	8	93,5	131,1	199,5
54535	45	35	M8	8	180,1	236,0	376,2
55015	50	15	M10	10	1186,7	1550,4	2234,4
55020	50	20	M10	10	584,8	783,2	1151,4

## Cylindrical Mounts



Ref Nr.	DØ	h	m	l	Compression Stiffness N/mm		
					45 Sh	57 Sh	70 Sh
type-E	mm	mm	metric	mm			
55025	50	25	M10	10	373,9	508,4	757,0
55030	50	30	M10	10	273,6	376,2	564,3
55035	50	35	M10	10	215,5	297,5	449,2
55040	50	40	M10	10	177,8	247,4	376,2
55043	50	43	M10	10	166,4	232,6	352,3
55045	50	45	M10	10	151,6	212,0	322,6
55050	50	50	M10	10	109,8	175,7	367,8
56020	60	20	M10	10	550,1	1059,6	2031,3
56025	60	25	M10	10	395,3	746,6	1693,1
56030	60	30	M10	10	280,0	477,6	1049,7
56035	60	35	M10	10	319,2	438,9	658,9
56040	60	40	M10	10	285,0	387,6	557,5
56045	60	45	M10	10	229,1	318,1	482,2
56050	60	50	M10	10	196,1	247,4	449,2
56535	65	35	M12	12	404,7	555,2	829,9
57030	70	30	M12	12	456,0	792,3	1550,4
57035	70	35	M12	12	492,1	671,5	1000,9
57040	70	40	M12	12	330,6	604,2	811,7
57050	70	50	M12	12	282,7	391,0	592,8
57060	70	60	M12	12	231,4	316,9	519,8
57070	70	70	M12	12	182,4	254,2	388,7
57515	75	15	M12	12	4679,7	5965,6	8413,2
57525	75	25	M12	12	1166,2	1545,8	2253,8

Ref Nr.	DØ	h	m	l	Compression Stiffness N/mm		
					45 Sh	57 Sh	70 Sh
type-E	mm	mm	metric	mm			
57530	75	30	M12	12	855,0	125,4	1757,9
57535	75	35	M12	12	547,2	957,6	1379,4
57540	75	40	M12	12	467,4	640,7	959,9
57550	75	50	M12	12	331,7	459,4	693,1
57555	75	55	M12	12	289,6	402,4	609,9
57570	75	70	M12	12	107,6	215,2	461,2
58030	80	30	M14	14	948,5	1268,8	1865,0
58040	80	40	M14	14	551,8	753,5	1124,0
58050	80	50	M14	14	343,1	478,8	814,0
58080	80	80	M14	14	206,3	289,6	441,2
510030	100	30	M16	16	1207,8	1901,7	3403,8
510040	100	40	M16	16	1053,4	1415,9	2088,5
510050	100	50	M16	16	615,6	1805,8	2577,5
510055	100	55	M16	16	433,7	713,7	1317,6
510070	100	70	M16	16	342,6	594,0	1037,6
510075	100	75	M16	16	325,0	478,7	978,3
510080	100	80	M16	16	253,6	351,4	757,6
515050	150	50	M20	20	1419,5	2479,3	3685,2
515075	150	75	M20	20	571,0	1077,1	2196,0
5150100	150	100	M20	20	914,3	1674,6	2380,4
5200100	200	100	M20	20	1207,8	1756,8	2745,0

# Type-AT

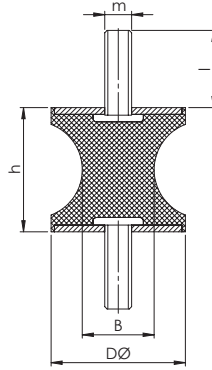
Cylindrical Mounts

## Rubber Parts

**Material:** NR - SBR - CR - NBR - EPDM  
**Hardness:** 45 - 57 - 70 Shore A  
**Hardness Tolerance:**  $\pm 5$  Shore A

## Metal Parts

**Material:** DIN EN 10111-98  
**Coating:** DIN EN 12329-Fe // Zn // C Cr+3 Zinc Coated



Ref Nr.	DØ	h	B	m	l
type-AT	mm	mm	mm	metric	mm
AT121507	12	15	7	M4	10
AT201510	20	15	10	M6	16
AT252010	25	20	10	M6	18
AT252017	25	20	17	M6	18
AT302020	30	20	20	M8	23
AT302024	30	20	24	M8	23
AT403019	40	30	19	M8	23
AT403027	40	30	27	M8	23
AT404025	40	40	25	M8	23
AT404835	40	48	35	M8	23
AT503028	50	30	28	M10	28
AT503039	50	30	39	M10	28
AT505035	50	50	35	M10	28
AT754055	75	40	55	M12	37
AT806060	80	60	60	M12	37
AT1106086	110	60	86	M14	28

# Type-BT

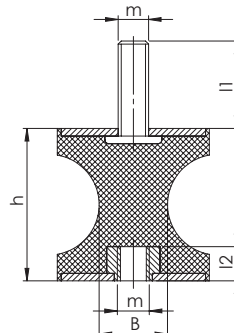
Cylindrical Mounts

## Rubber Parts

**Material:** NR - SBR - CR - NBR - EPDM  
**Hardness:** 45 - 57 - 70 Shore A  
**Hardness Tolerance:**  $\pm 5$  Shore A

## Metal Parts

**Material:** DIN EN 10111-98  
**Coating:** DIN EN 12329-Fe // Zn // C Cr+3 Zinc Coated



Ref Nr.	DØ	h	B	m	l1	l2
type-BT	mm	mm	mm	metric	mm	mm
BT201510	20	15	10	M6	16	6
BT252010	25	20	10	M6	18	6
BT252017	25	20	17	M6	18	6
BT302020	30	20	20	M8	23	8
BT302024	30	20	24	M8	23	8
BT403019	40	30	19	M8	23	8
BT403027	40	30	27	M8	23	8
BT404025	40	40	25	M8	23	8
BT404835	40	48	35	M8	23	8
BT503028	50	30	28	M10	28	10
BT503039	50	30	39	M10	28	10
BT505035	50	50	35	M10	10	10
BT806060	80	60	60	M12	37	12



## Type-CT

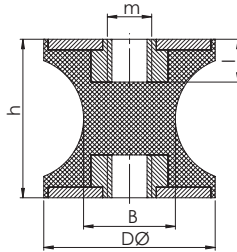
Cylindrical Mounts

### Rubber Parts

**Material:** NR - SBR - CR - NBR - EPDM  
**Hardness:** 45 - 57 - 70 Shore A  
**Hardness Tolerance:**  $\pm 5$  Shore A

### Metal Parts

**Material:** DIN EN 10111-98  
**Coating:** DIN EN 12329-Fe // Zn // C Cr+3 Zinc Coated



Ref Nr.	DØ	h	B	m	l
type-CT	mm	mm	mm	metric	mm
CT201510	20	15	10	M6	6
CT252010	25	20	10	M6	6
CT252017	25	20	17	M6	6
CT302020	30	20	20	M8	8
CT302024	30	20	24	M8	8
CT403019	40	30	19	M8	8
CT403027	40	30	27	M8	8
CT404025	40	40	25	M8	8
CT404835	40	48	35	M8	8
CT503028	50	30	28	M10	10
CT503039	50	30	39	M10	10
CT505035	50	50	35	M10	10
CT806060	80	60	60	M12	12

## Type-K

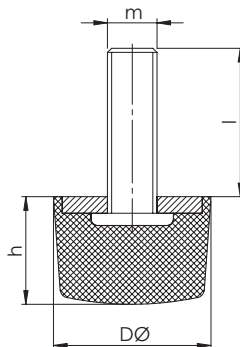
Cylindrical Mounts

### Rubber Parts

**Material:** NR - SBR - CR - NBR - EPDM  
**Hardness:** 45 - 57 - 70 Shore A  
**Hardness Tolerance:**  $\pm 5$  Shore A

### Metal Parts

**Material:** DIN EN 10111-98  
**Coating:** DIN EN 12329-Fe // Zn // C Cr+3 Zinc Coated



Ref Nr.	DØ	h	m	l
type-K	mm	mm	metric	mm
K2517	25	17	M6	18
K2520	25	20	M6	18
K3015	30	15	M8	23
K3020	30	20	M8	23
K3027	30	27	M8	23
K3530	35	30	M8	23
K4030	40	30	M8	23
K5018	50	18	M10	28
K5022	50	22	M10	28
K5030	50	30	M10	28
K7528	75	28	M12	37

# Type-EP

## Cylindrical Mounts

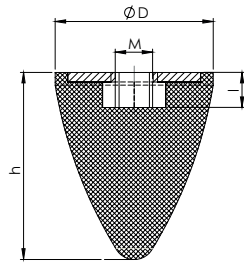
Ref Nr.D	DØ	h	ml	l
type-EP	mm	mm	metric	mm
EP2012	20	12	M6	6
EP2024	20	24	M6	6
EP2520	25	20	M6	6
EP2522	25	22	M6	6
EP2525	25	25	M6	6
EP2530	25	30	M6	6
EP3036	30	36	M8	8
EP3540	35	40	M8	8
EP4030	40	30	M8	8
EP4060	40	60	M8	8
EP5050	50	50	M10	10
EP5058	50	58	M10	10
EP5060	50	60	M10	10
EP5064	50	64	M10	10
EP5067	50	67	M10	10
EP6060	60	60	M12	12
EP7258	72	58	M12	12
EP7570	75	70	M12	12
EP7589	75	89	M12	12
EP10085	100	85	M16	16
EP10795	107	95	M16	16
EP115136	115	136	M16	16

### Rubber Parts

**Material:** NR - SBR - CR - NBR - EPDM  
**Hardness:** 45 - 57 - 70 Shore A  
**Hardness Tolerance:** ± 5 Shore A

### Metal Parts

**Material:** DIN EN 10111-98  
**Coating:** DIN EN 12329-Fe // Zn // C Cr+3 Zinc Coated



# Type-KP

## Cylindrical Mounts

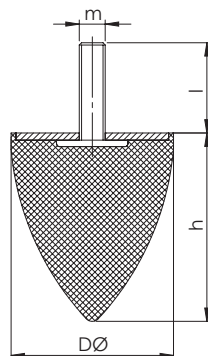
Ref Nr.	DØ	h	m	l
type-KP	mm	mm	metric	mm
KP2012	20	12	M6	16
KP2024	20	24	M6	16
KP2520	25	20	M6	18
KP2522	25	22	M6	18
KP2525	25	25	M6	18
KP2530	25	30	M6	18
KP3036	30	36	M8	23
KP3540	35	40	M8	23
KP4030	40	30	M8	23
KP4060	40	60	M8	23
KP5050	50	50	M10	28
KP5058	50	58	M10	28
KP5060	50	60	M10	28
KP5064	50	64	M10	28
KP5067	50	67	M10	28
KP6060	60	60	M12	37
KP7258	72	58	M12	37
KP7570	75	70	M12	37
KP7589	75	89	M12	37
KP10085	100	85	M16	42
KP10795	107	95	M16	42
KP115136	115	136	M16	42

### Rubber Parts

**Material:** NR - SBR - CR - NBR - EPDM  
**Hardness:** 45 - 57 - 70 Shore A  
**Hardness Tolerance:** ± 5 Shore A

### Metal Parts

**Material:** DIN EN 10111-98  
**Coating:** DIN EN 12329-Fe // Zn // C Cr+3 Zinc Coated



## Type-DS

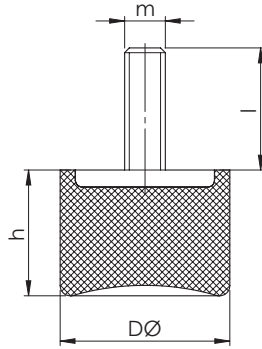
Cylindrical Mounts

### Rubber Parts

**Material:** NR - SBR - CR - NBR - EPDM  
**Hardness:** 45 - 57 - 70 Shore A  
**Hardness Tolerance:**  $\pm 5$  Shore A

### Metal Parts

**Material:** DIN EN 10111-98  
**Coating:** DIN EN 12329-Fe // Zn // C Cr+3 Zinc Coated



Ref Nr.	DØ	h	m	l
type-DS	mm	mm	metric	mm
DS2023	20	23,5	M6	18
DS2518	25	18,5	M6	18
DS3028	30	28,5	M8	20
DS4020	40	20	M8	20
DS4028	40	28	M8	23
DS5012	50	12	M10	28
DS5028	50	28	M10	28
DS7537	75	37	M12	37
DS10050	100	50	M16	43

## Type-KE

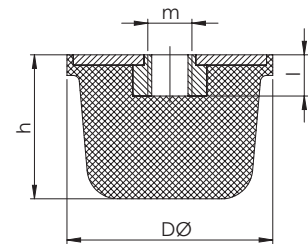
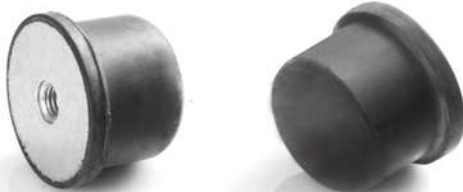
Cylindrical Mounts

### Rubber Parts

**Material:** NR - SBR - CR - NBR - EPDM  
**Hardness:** 45 - 57 - 70 Shore A  
**Hardness Tolerance:**  $\pm 5$  Shore A

### Metal Parts

**Material:** DIN EN 10111-98  
**Coating:** DIN EN 12329-Fe // Zn // C Cr+3 Zinc Coated



Ref Nr.	DØ	h	m	l
type-KE	mm	mm	metric	mm
KE5035	50	35	M10	10
KE8060	80	60	M14	12
KE12590	125	90	M16	16

## Type-KRA

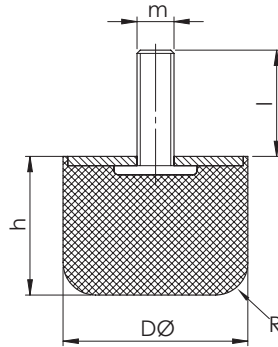
Cylindrical Mounts

### Rubber Parts

**Material:** NR - SBR - CR - NBR - EPDM  
**Hardness:** 45 - 57 - 70 Shore A  
**Hardness Tolerance:**  $\pm 5$  Shore A

### Metal Parts

**Material:** DIN EN 10111-98  
**Coating:** DIN EN 12329-Fe // Zn // C Cr+3 Zinc Coated



Ref Nr.	DØ	h	m	l	R
type-KRA	mm	mm	metric	mm	mm
KRA4032	40	32	M8	23	8
KRA5040	50	40	M10	28	10
KRA6350	63	50	M10	28	12,5
KRA8063	80	63	M10	28	18
KRA8063	80	63	M12	37	18
KRA10080	100	80	M12	36	20
KRA125100	125	100	M16	36	25
KRA160125	160	125	M16	44	32
KRA200160	200	160	M20	44	40

## Type-KRAS

Cylindrical Mounts

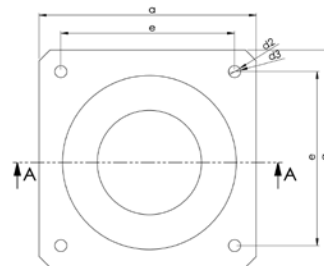
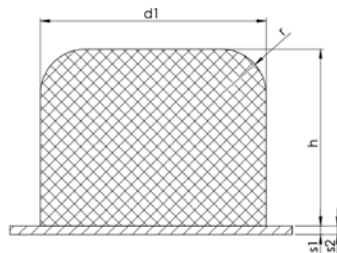
### Rubber Parts

**Material:** NR - SBR - CR - NBR - EPDM  
**Hardness:** 45 - 57 - 70 Shore A  
**Hardness Tolerance:**  $\pm 5$  Shore A

### Metal Parts

**Material:** DIN EN 10111-98  
**Coating:** DIN EN 12329-Fe // Zn // C Cr+3 Zinc Coated

Size	Dimensions (mm)								Energy Capacity	Compression	End Force
d1	a	d2	d3	e	h	r	s1	s2	Kj(1)	mm(1)	kN(1)
40	50	-	4	40	32	8	-	2	0,05	16	10
50	63	6	6	50	40	10	2	4	0,1	20	16
63	80	6	6	63	50	12,5	4	6	0,2	25	25
80	100	8	10	80	63	16	4	6	0,39	32	39
100	125	8	12	100	80	20	4	8	0,78	40	62
125	160	10	16	125	100	25	4	8	1,57	50	98
160	200	10	16	160	125	32	6	10	3,14	63	157
200	250	12	20	200	160	40	6	10	6,18	80	245
250	315	12	20	250	200	50	8	12	12,3	100	392
315	400	-	20	315	250	63	-	12	24,5	125	618





## Type-KV

Cylindrical Mounts

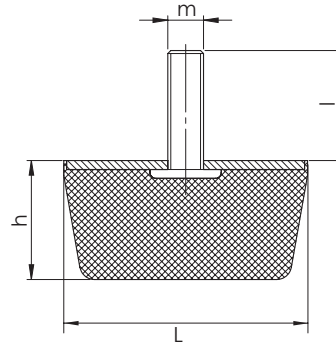
### Rubber Parts

**Material:** NR - SBR - CR - NBR - EPDM  
**Hardness:** 45 - 57 - 70 Shore A  
**Hardness Tolerance:**  $\pm 5$  Shore A

### Metal Parts

**Material:** DIN EN 10111-98  
**Coating:** DIN EN 12329-Fe // Zn // C Cr+3 Zinc Coated

Ref Nr.	LxL	h	m	l
type-KV	mm	mm	metric	mm
KV5020	50X50	20	M10	28
KV8025	80X80	25	M12	37
KV8030	80X80	30	M12	37
KV120120	120X120	30	M12	37



## Type-BF

Cylindrical Mounts

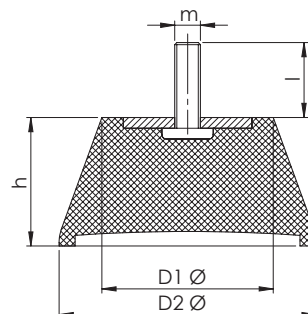
### Rubber Parts

**Material:** NR - SBR - CR - NBR - EPDM  
**Hardness:** 45 - 57 - 70 Shore A  
**Hardness Tolerance:**  $\pm 5$  Shore A

### Metal Parts

**Material:** DIN EN 10111-98  
**Coating:** DIN EN 12329-Fe // Zn // C Cr+3 Zinc Coated

Ref Nr.	D1Ø	D2Ø	h	m	l
type-BF	mm	mm	mm	metric	mm
BF-124	80	110	48	M12	28
BF-125	95	150	60	M12	28
BF-126	95	150	100	M12	28
BF-115	110	168	105	M16	42

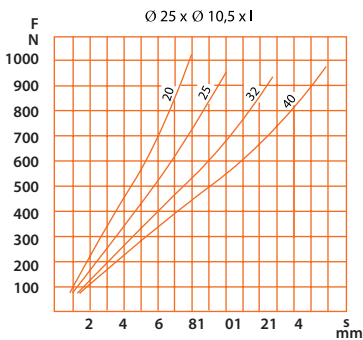
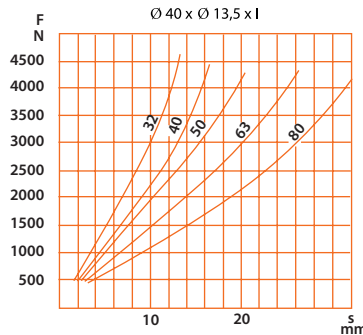
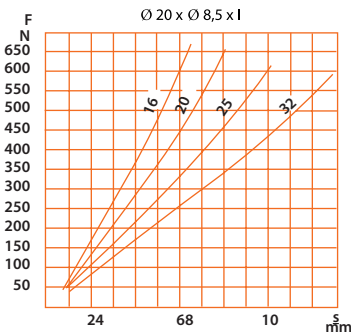
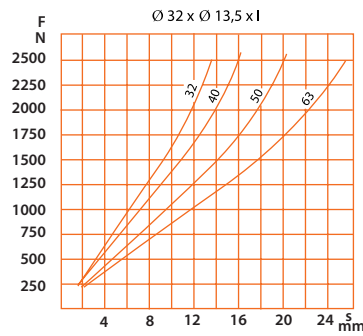
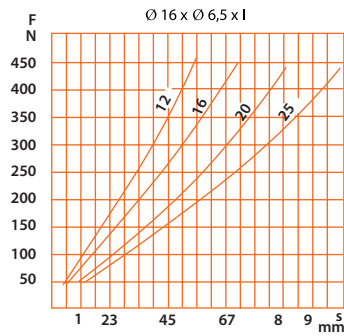
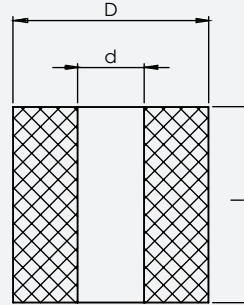


# Type-GF

## Cylindrical Mounts

### Rubber Parts

**Material:** NR - SBR - CR - NBR - EPDM  
**Hardness:** 45 - 57 - 70 Shore A  
**Hardness Tolerance:** ± 5 Shore A



Ref Nr.D	Ø D	d	l
type-GFm	mm	mm	m
GF16612	16	6,5	12
GF16616	16	6,5	16
GF16620	16	6,5	20
GF16625	16	6,5	25
GF20816	20	8,5	16
GF20820	20	8,5	20
GF20825	20	8,5	25
GF20832	20	8,5	32
GF251020	25	10,5	20
GF251025	25	10,5	25
GF251032	25	10,5	32
GF251040	25	10,5	40
GF321332	32	13,5	32
GF321340	32	13,5	40
GF321350	32	13,5	50
GF321363	32	13,5	63
GF401332	40	13,5	32
GF401340	40	13,5	40
GF401350	40	13,5	50
GF401363	40	13,5	63
GF401380	40	13,5	80
GF501732	50	17	32
GF501740	50	17	40
GF501750	50	17	50
GF501763	50	17	63
GF501780	50	17	80
GF5017100	50	17	100

Rubber Hardness and male/female sizes are available on changes duty customer applications. Compression stiffness values are only for guidance. Customers are recommended to contact us for further technical information. We reserve the right to change design and specifications of our products without prior notification.

# Type-GF

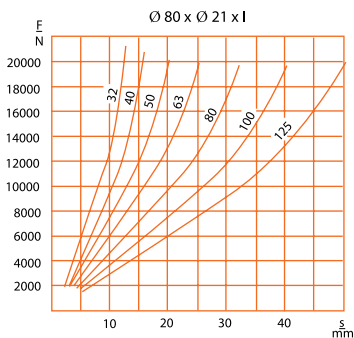
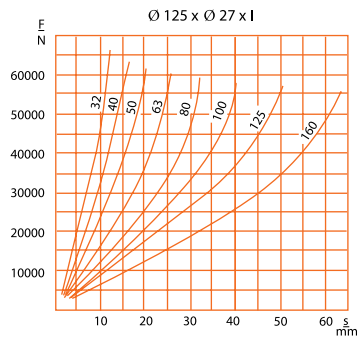
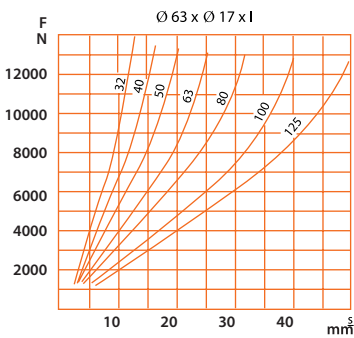
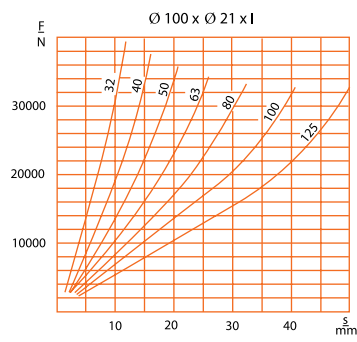
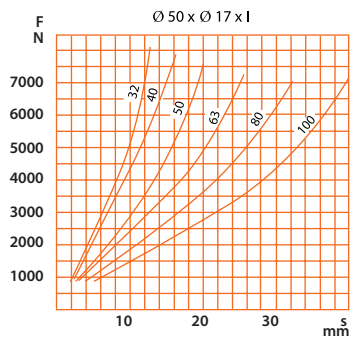
Cylindrical Mounts

## Rubber Parts

**Material:** NR - SBR - CR - NBR - EPDM

**Hardness:** 45 - 57 - 70 Shore A

**Hardness Tolerance:**  $\pm 5$  Shore A



Ref Nr.D	$\text{Ø } D$	$d$	$l$
type-GFm	mm	mm	m
GF631732	63	17	32
GF631740	63	17	40
GF631750	63	17	50
GF631763	63	17	63
GF631780	63	17	80
GF6317100	63	17	100
GF6317125	63	17	125
GF802132	80	21	32
GF802140	80	21	40
GF802150	80	21	50
GF802163	80	21	63
GF802180	80	21	80
GF8021100	80	21	100
GF8021125	80	21	125
GF1002132	100	21	32
GF1002140	100	21	40
GF1002150	100	21	50
GF1002163	100	21	63
GF1002180	100	21	80
GF10021100	100	21	100
GF10021125	100	21	125
GF1252732	125	27	32
GF1252740	125	27	40
GF1252750	125	27	50
GF1252763	125	27	63
GF1252780	125	27	80
GF12527700	125	27	100
GF12527125	125	27	125
GF12527160	125	27	160

# Type-ATK

Cylindrical Mounts

## Rubber Parts

**Material:** NR - SBR - CR - NBR - EPDM

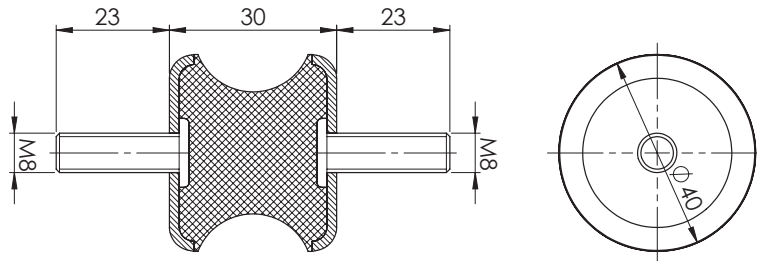
**Hardness:** 45 - 57 - 70 Shore A

**Hardness Tolerance:**  $\pm 5$  Shore A

## Metal Parts

**Material:** DIN EN 10111-98

**Coating:** DIN EN 12329-Fe // Zn // C Cr+3 Zinc Coated



# Type-EBRS

Cylindrical Mounts

## Rubber Parts

**Material:** NR - SBR - CR - NBR - EPDM

**Hardness:** 45 - 57 - 70 Shore A

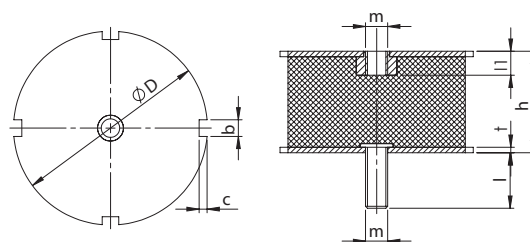
**Hardness Tolerance:**  $\pm 5$  Shore A

## Metal Parts

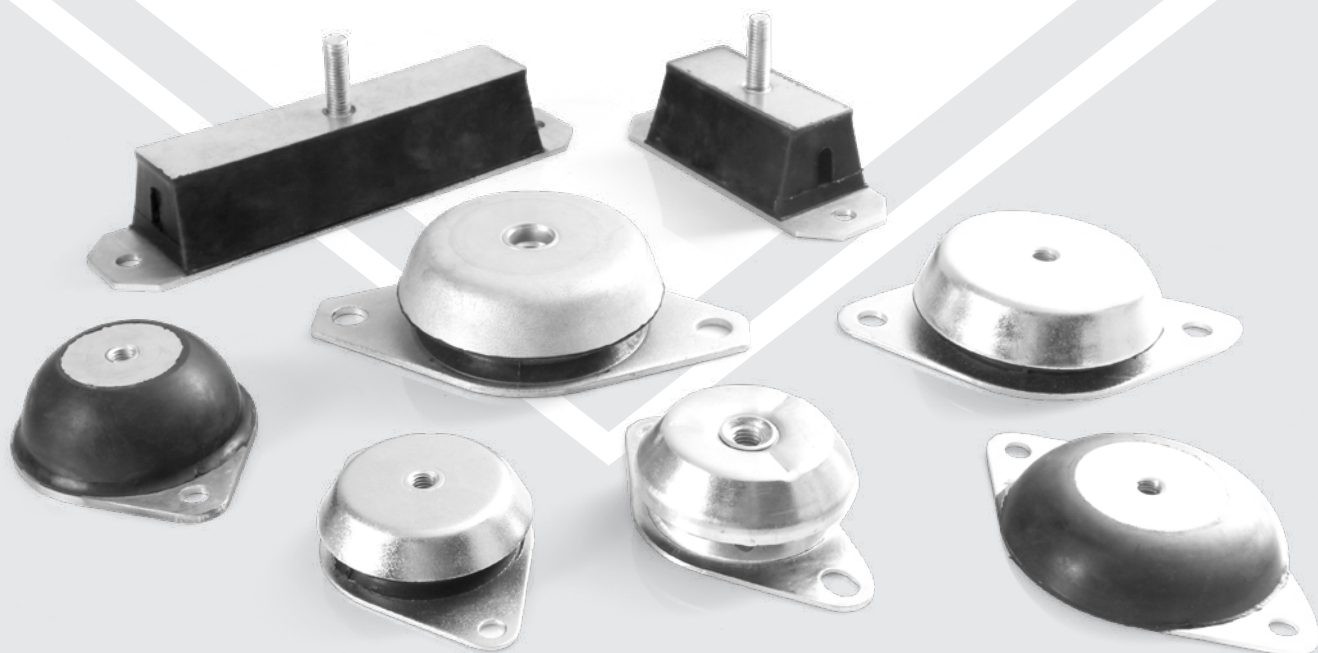
**Material:** DIN EN 10111-98

**Coating:** DIN EN 12329-Fe // Zn // C Cr+3 Zinc Coated

Ref Nr.	D	h	l	m	l	t	b	c
type-EBRS	mm	mm	mm	metric	mm	mm	mm	mm
EBRS 10540	105	40	27	M12	30	3	9	4,5
EBRS 10555	105	55	27	M12	25	3	9	4,5



# MACHINE MOUNTS



**befa**<sup>®</sup>

Rubber & Metal

02



# Type-BM128

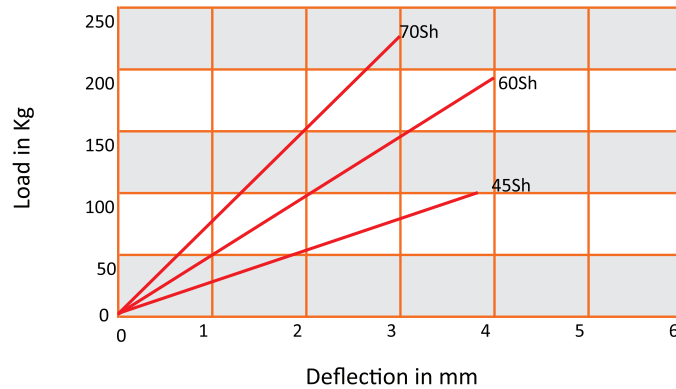
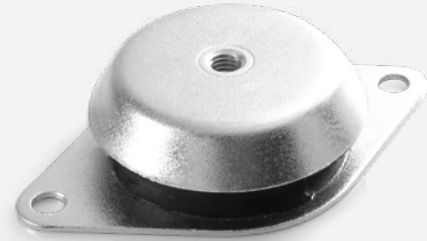
Machine Mounts

## Rubber Parts

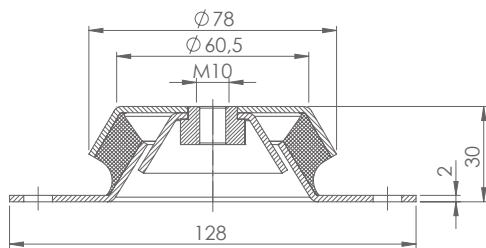
**Material:** NR - SBR - CR - EPDM  
**Hardness:** 45 - 57 - 70 Shore A  
**Hardness Tolerance:**  $\pm 5$  Shore A

## Metal Parts

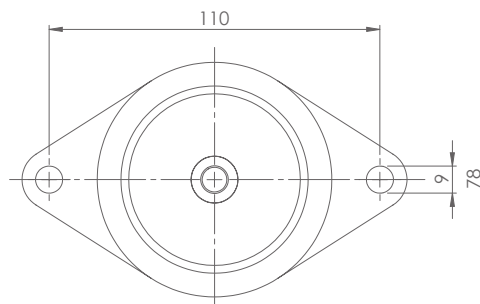
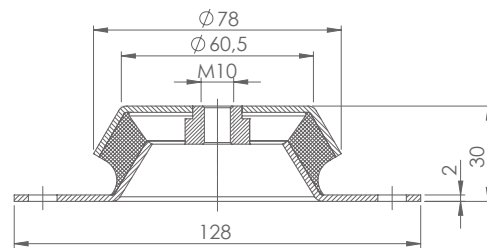
**Material:** DIN EN 10111-98  
**Coating:** DIN EN 12329-Fe // Zn // C Cr+3 Zinc Coated



**BM 128-1**



**BM 128-2**



# Type-BM170

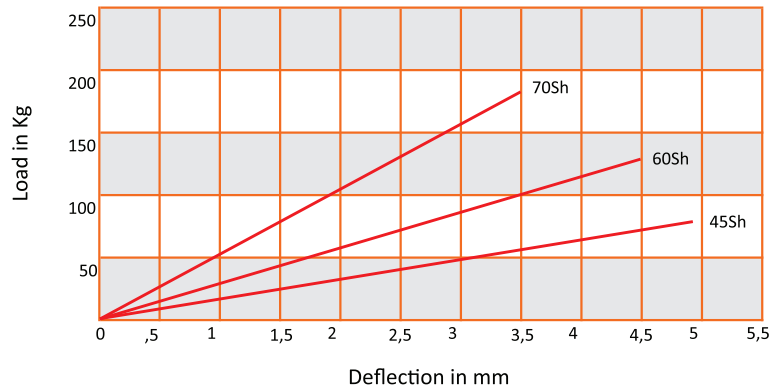
Machine Mounts

## Rubber Parts

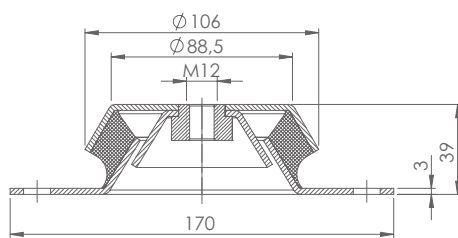
**Material:** NR - SBR - CR - EPDM  
**Hardness:** 45 - 57 - 70 Shore A  
**Hardness Tolerance:**  $\pm 5$  Shore A

## Metal Parts

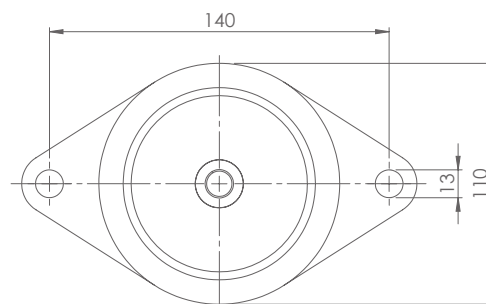
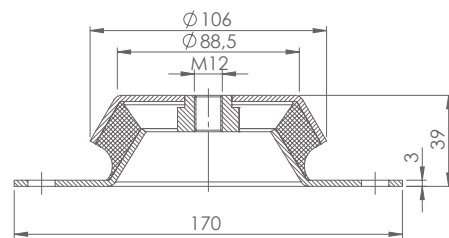
**Material:** DIN EN 10111-98  
**Coating:** DIN EN 12329-Fe // Zn // C Cr+3 Zinc Coated



**BM 170-1**



**BM 170-2**



# Type-BM168

Machine Mounts

## Rubber Parts

**Material:** NR - SBR - CR - NBR - EPDM

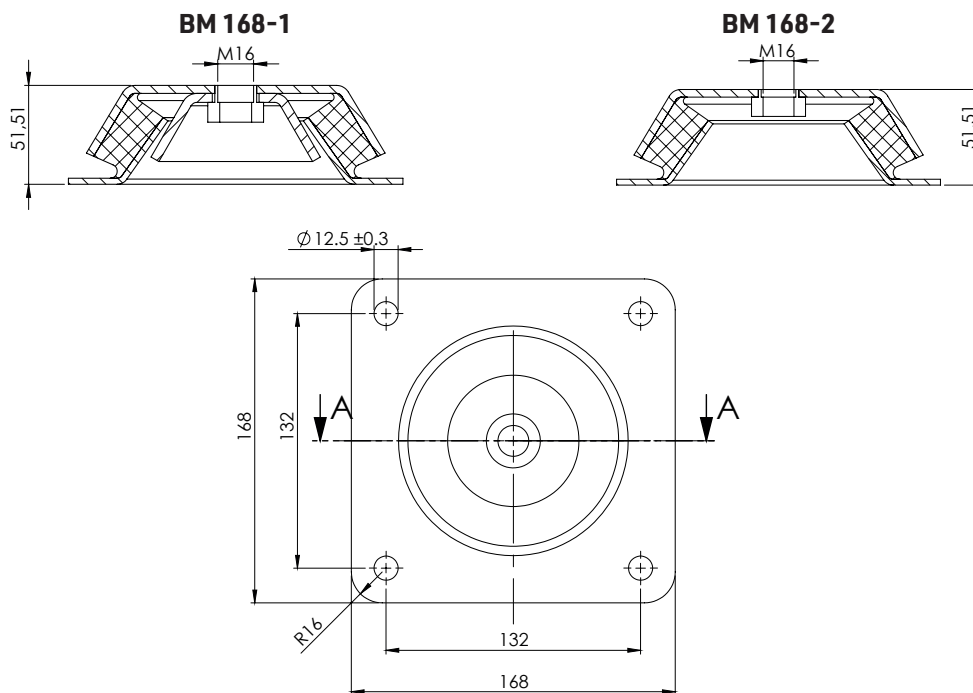
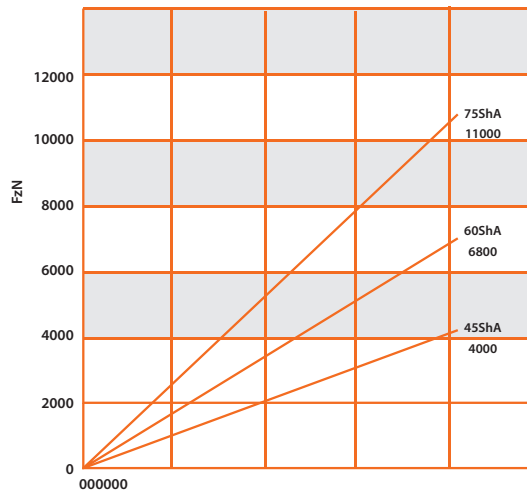
**Hardness:** 45 - 57 - 70 Shore A

**Hardness Tolerance:** 5 Shore A

## Metal Parts

**Material:** DIN EN 10111-98

**Coating:** DIN EN 12329-Fe // Zn // C Cr+3 Zinc Coated



# Type-BM184

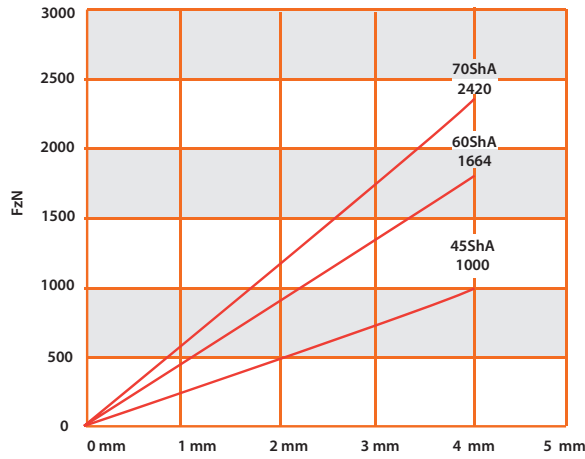
Machine Mounts

### Rubber Parts

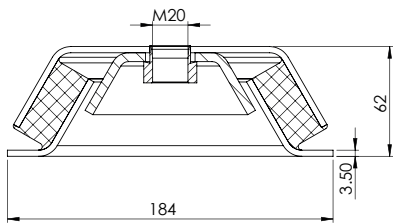
**Material:** NR - SBR - CR - NBR - EPDM  
**Hardness:** 45 - 57 - 70 Shore A  
**Hardness Tolerance:** ± 5 Shore A

### Metal Parts

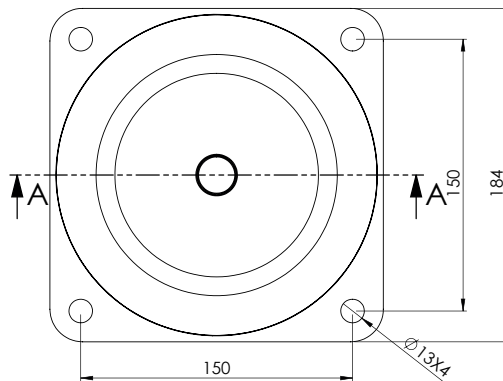
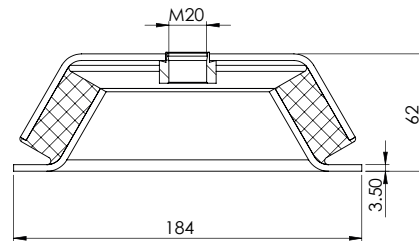
**Material:** DIN EN 10111-98  
**Coating:** DIN EN 12329-Fe // Zn // C Cr+3 Zinc Coated



**BM 184-1**



**BM 184-2**



Rubber Hardness and male/female sizes are available on changes duty customer applications. Compression stiffness values are only for guidance. Customers are recommended to contact us for futher technical information. We reserve the right to change design and specifications of our products without prior notification.

# Type-SF

Machine Mounts

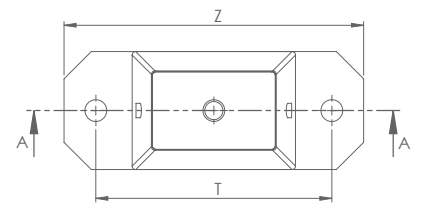
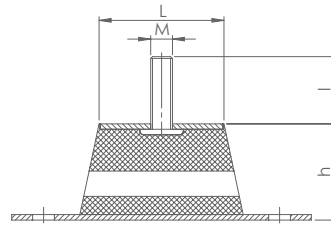
## Rubber Parts

**Material:** NR - SBR - CR - EPDM  
**Hardness:** 45 - 57 - 70 Shore A  
**Hardness Tolerance:**  $\pm 5$  Shore A

## Metal Parts

**Material:** DIN EN 10111-98  
**Coating:** DIN EN 12329-Fe // Zn // C Cr+3 Zinc Coated

Ref Nr.	Z	L	T	M	l	h
type-SF	mm	mm	metric	mm	mm	mm
SF50	115	50	85	M12	37	46
SF100	165	100	135	M12	37	46
SF150	215	150	185	M12	37	46
SF200	265	200	235	M12	37	46



# Type-SL

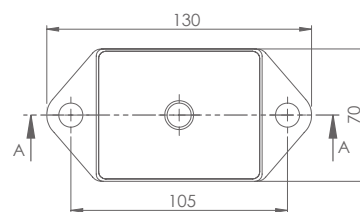
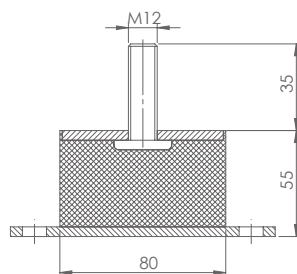
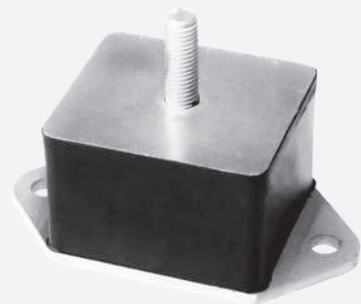
Machine Mounts

## Rubber Parts

**Material:** NR - SBR - CR - EPDM  
**Hardness:** 45 - 57 - 70 Shore A  
**Hardness Tolerance:**  $\pm 5$  Shore A

## Metal Parts

**Material:** DIN EN 10111-98  
**Coating:** DIN EN 12329-Fe // Zn // C Cr+3 Zinc Coated





## Type-BS

Machine Mounts

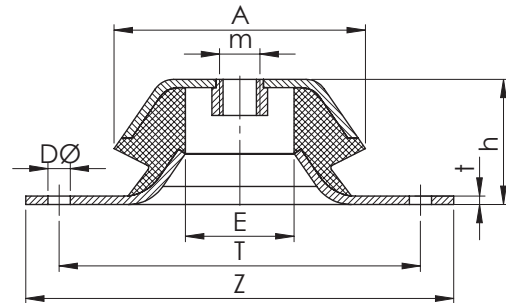
### Rubber Parts

**Material:** NR - SBR - CR - EPDM  
**Hardness:** 45 - 57 - 70 Shore A  
**Hardness Tolerance:**  $\pm 5$  Shore A

### Metal Parts

**Material:** DIN EN 10111-98  
**Coating:** DIN EN 12329-Fe // Zn // C Cr+3 Zinc Coated

Ref Nr.	A	DØ	m	E	h	T	Z	t	Load
type-BS	mm	mm	metric	mm	mm	mm	mm	mm	kg
BS62	62	10,2	M10	25	30	85	100	2	200
BS90	90	10,2	M12	42	45	108	134	3	350
BS115	115	16,2	M16	60	45	160	190	4	600



## Type-BSH

Machine Mounts

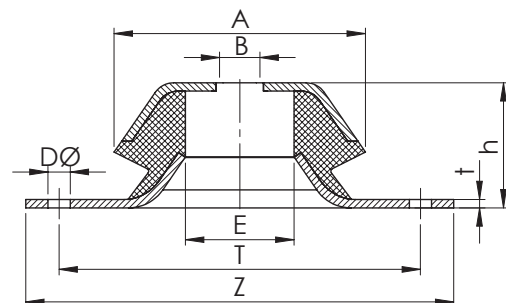
### Rubber Parts

**Material:** NR - SBR - CR - EPDM  
**Hardness:** 45 - 57 - 70 Shore A  
**Hardness Tolerance:**  $\pm 5$  Shore A

### Metal Parts

**Material:** DIN EN 10111-98  
**Coating:** DIN EN 12329-Fe // Zn // C Cr+3 Zinc Coated

Ref Nr.	A	DØ	m	E	h	T	Z	t	Load
type-BSH	mm	mm	metric	mm	mm	mm	mm	mm	kg
BSH62	62	10,2	12,5	25	30	85	100	2	200
BSH90	90	10,2	17	42	45	108	134	3	350
BSH115	115	16,2	24	60	45	160	190	4	600



# Type-AC

Machine Mounts

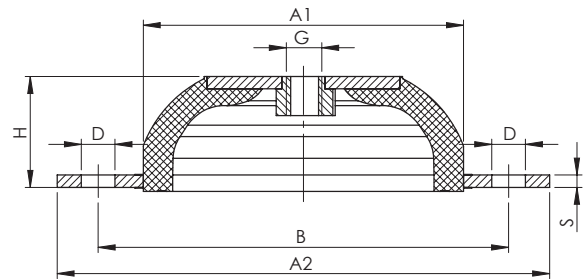
## Rubber Parts

**Material:** NR - SBR - CR - EPDM  
**Hardness:** 45 - 57 - 70 Shore A  
**Hardness Tolerance:**  $\pm 5$  Shore A

## Metal Parts

**Material:** DIN EN 10111-98  
**Coating:** DIN EN 12329-Fe // Zn // C Cr+3 Zinc Coated

Ref Nr.	A1	A2	H	B	D	S	G
type-AC	mm	mm	mm	mm	mm	mm	metric
AC4064	40	64	20	52	6,2	2	M6
AC6090	60	90	24	76	6,2	3	M6
AC80120	80	120	27	100	8,2	3	M8
AC100148	100	148	28	124	10,2	3	M10
AC150214	150	214	35	182	12,5	4	M14
AC207280	207	280	40	240	14,5	5	M18



# Type-STM

Machine Mounts

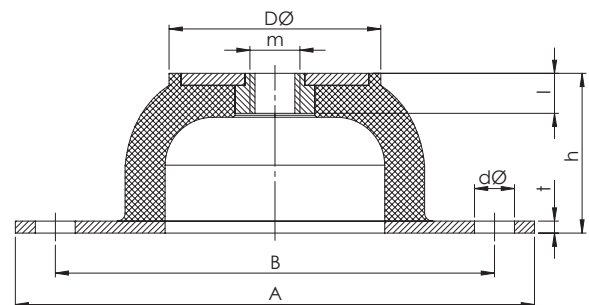
## Rubber Parts

**Material:** NR - SBR - CR - EPDM  
**Hardness:** 45 - 57 - 70 Shore A  
**Hardness Tolerance:**  $\pm 5$  Shore A

## Metal Parts

**Material:** DIN EN 10111-98  
**Coating:** DIN EN 12329-Fe // Zn // C Cr+3 Zinc Coated

Ref Nr.	DØ	B	A	H	l	d	m
type-STM	mm	mm	mm	mm	mm	mm	mm
STM25	33	66	85	25	11	8	M8
STM100	53	110	136	40	15	11,5	M10



# Type-BW

Machine Mounts

## Rubber Parts

**Material:** NR - SBR

**Hardness:** 45 - 57 - 70 Shore A

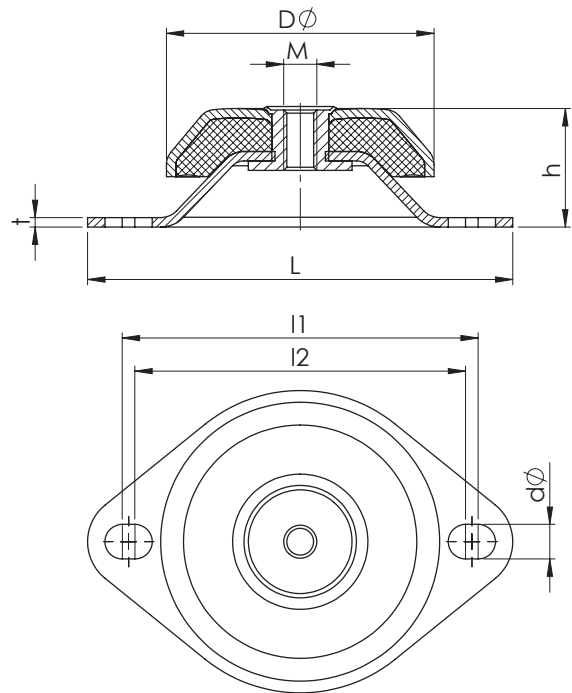
**Hardness Tolerance:**  $\pm 5$  Shore A

## Metal Parts

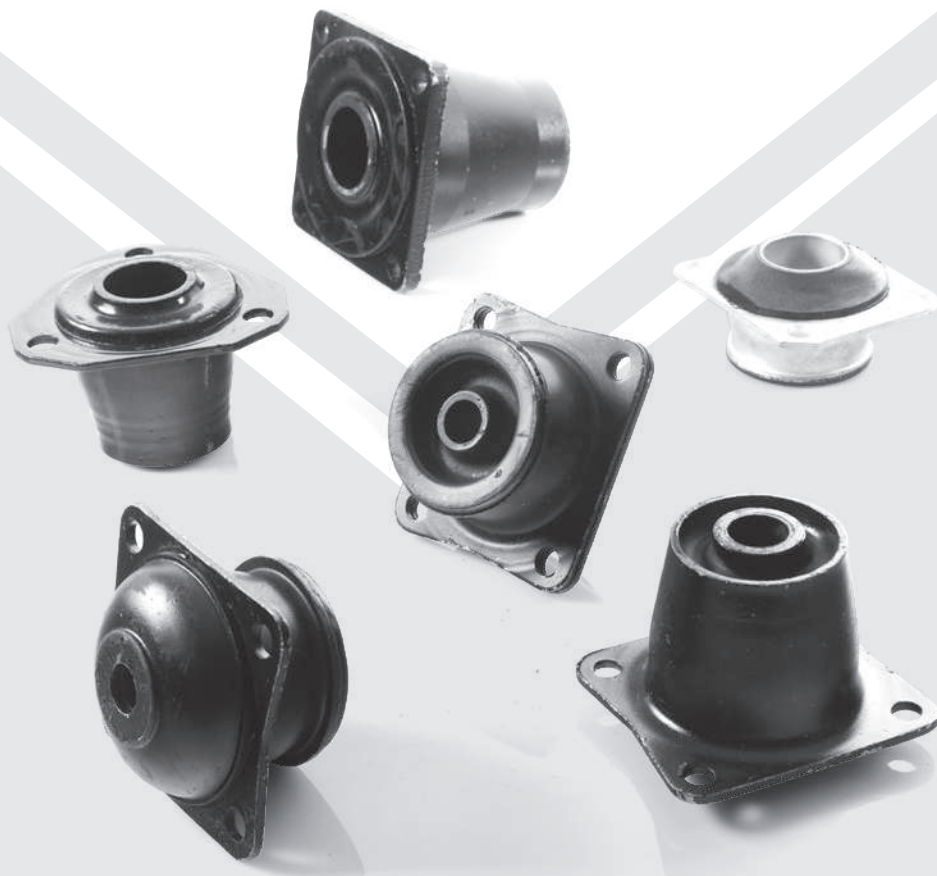
**Material:** DIN EN 10111-98

**Coating:** DIN EN 12329-Fe // Zn // C Cr+3 Zinc Coated

Ref Nr.	DØ	h	M	l1	l2	L	t	dØ
type-BW	mm	mm	mm	mm	mm	mm	mm	mm
BW 80	83	35	M10	108	110	130	3	9
BW 80 L	83	35	M12	108	110	130	3	9



# CONICAL MOUNTS



## KN107

Conical Mounts

### Rubber Parts

**Material:** NR - SBR

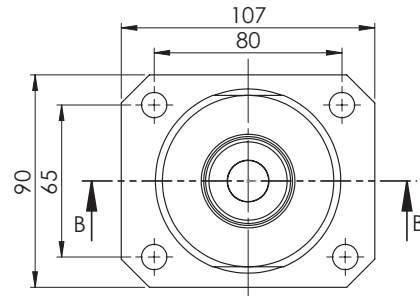
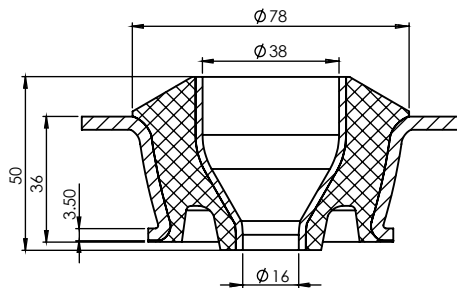
**Hardness:** 45 - 57 - 70 Shore A

**Hardness Tolerance:**  $\pm 5$  Shore A

### Metal Parts

**Material:** DIN EN 10111-98

**Coating:** DIN EN 12329-Fe // Zn // C Cr+3 Zinc Coated



## KN106

Conical Mounts

### Rubber Parts

**Material:** NR - SBR

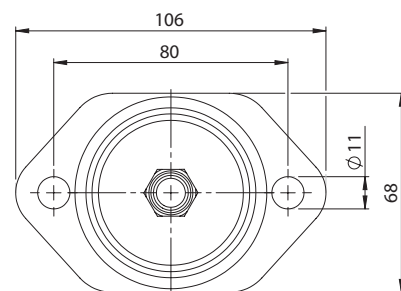
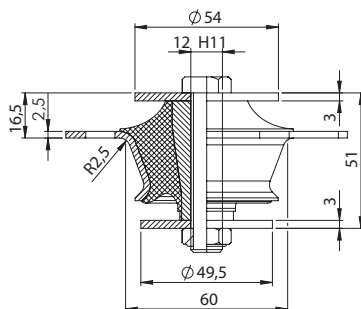
**Hardness:** 45 - 57 - 70 Shore A

**Hardness Tolerance:**  $\pm 5$  Shore A

### Metal Parts

**Material:** DIN EN 10111-98

**Coating:** DIN EN 12329-Fe // Zn // C Cr+3 Zinc Coated



# KN120

Conical Mounts

## Rubber Parts

**Material:** NR - SBR

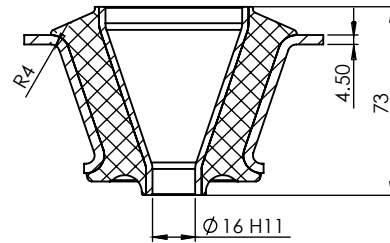
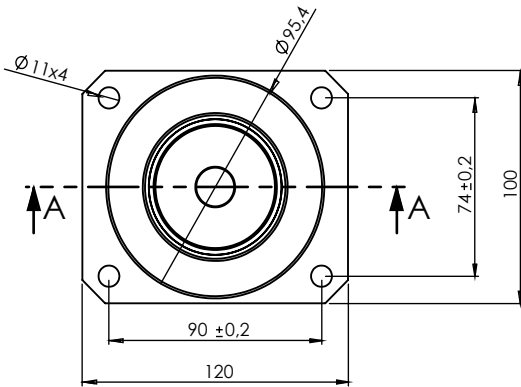
**Hardness:** 45 - 57 - 70 Shore A

**Hardness Tolerance:**  $\pm 5$  Shore A

## Metal Parts

**Material:** DIN EN 10111-98

**Coating:** DIN EN 12329-Fe // Zn // C Cr+3 Zinc Coated



# KN140

Conical Mounts

## Rubber Parts

**Material:** NR - SBR

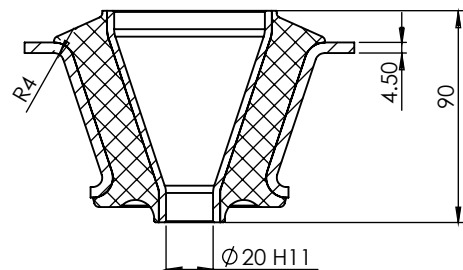
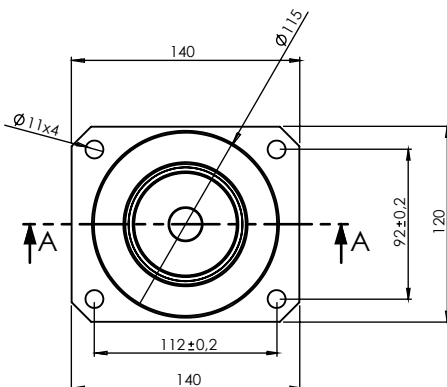
**Hardness:** 45 - 57 - 70 Shore A

**Hardness Tolerance:**  $\pm 5$  Shore A

## Metal Parts

**Material:** DIN EN 10111-98

**Coating:** DIN EN 12329-Fe // Zn // C Cr+3 Zinc Coated





# KN10563

Conical Mounts

## Rubber Parts

**Material:** NR - SBR

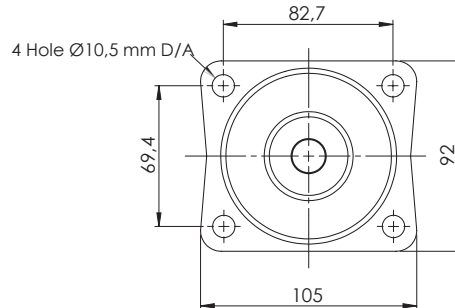
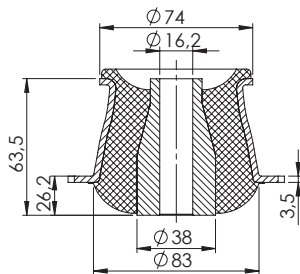
**Hardness:** 45 - 57 - 70 Shore A

**Hardness Tolerance:**  $\pm 5$  Shore A

## Metal Parts

**Material:** DIN EN 10111-98

**Coating:** DIN EN 12329-Fe // Zn // C Cr+3 Zinc Coated



# KN10563-2

Conical Mounts

## Rubber Parts

**Material:** NR - SBR

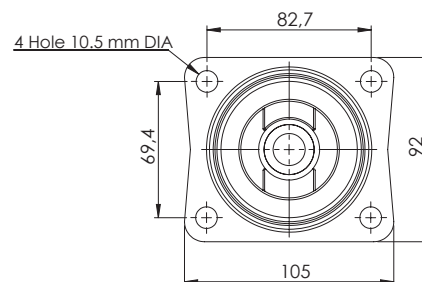
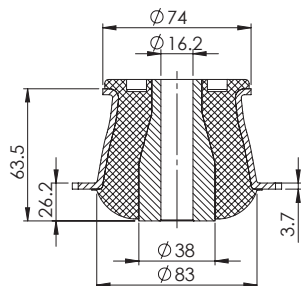
**Hardness:** 45 - 57 - 70 Shore A

**Hardness Tolerance:**  $\pm 5$  Shore A

## Metal Parts

**Material:** DIN EN 10111-98

**Coating:** DIN EN 12329-Fe // Zn // C Cr+3 Zinc Coated



# KN10555

Conical Mounts

## Rubber Parts

**Material:** NR - SBR

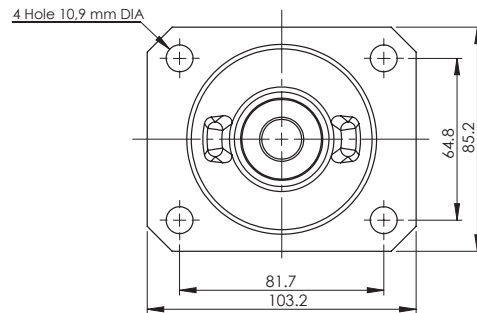
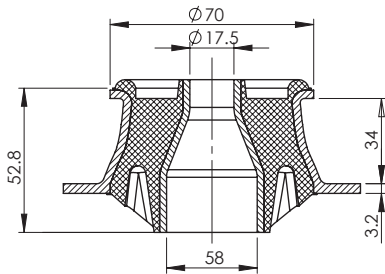
**Hardness:** 45 - 57 - 70 Shore A

**Hardness Tolerance:**  $\pm 5$  Shore A

## Metal Parts

**Material:** DIN EN 10111-98

**Coating:** DIN EN 12329-Fe // Zn // C Cr+3 Zinc Coated



# KN10570

Conical Mounts

## Rubber Parts

**Material:** NR - SBR

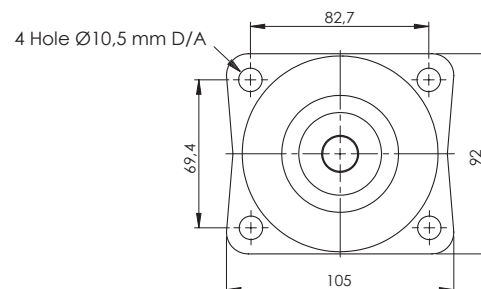
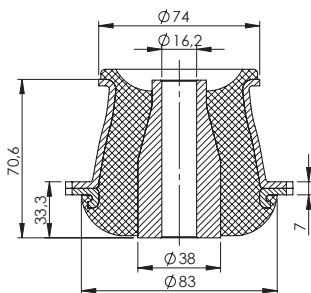
**Hardness:** 45 - 57 - 70 Shore A

**Hardness Tolerance:**  $\pm 5$  Shore A

## Metal Parts

**Material:** DIN EN 10111-98

**Coating:** DIN EN 12329-Fe // Zn // C Cr+3 Zinc Coated



# KN10580

Conical Mounts

## Rubber Parts

**Material:** NR - SBR

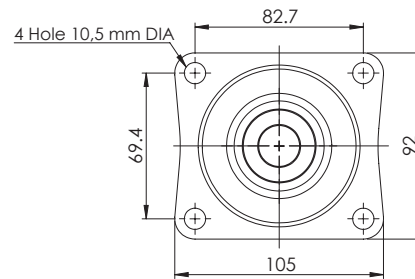
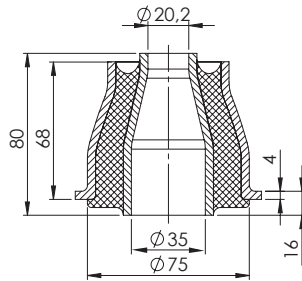
**Hardness:** 45 - 57 - 70 Shore A

**Hardness Tolerance:**  $\pm 5$  Shore A

## Metal Parts

**Material:** DIN EN 10111-98

**Coating:** DIN EN 12329-Fe // Zn // C Cr+3 Zinc Coated



# KN117

Conical Mounts

## Rubber Parts

**Material:** NR - SBR

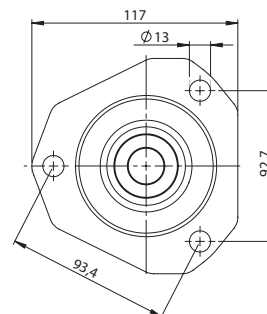
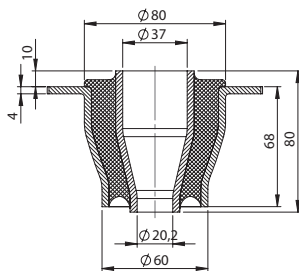
**Hardness:** 45 - 57 - 70 Shore A

**Hardness Tolerance:**  $\pm 5$  Shore A

## Metal Parts

**Material:** DIN EN 10111-98

**Coating:** DIN EN 12329-Fe // Zn // C Cr+3 Zinc Coated



# Type-KT

Conical Mounts

## Rubber Parts

**Material:** NR - SBR

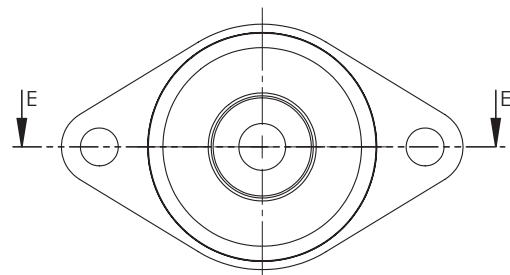
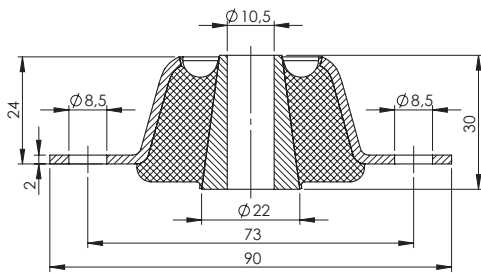
**Hardness:** 45 - 57 - 70 Shore A

**Hardness Tolerance:**  $\pm 5$  Shore A

## Metal Parts

**Material:** DIN EN 10111-98

**Coating:** DIN EN 12329-Fe // Zn // C Cr+3 Zinc Coated



# KN102

Conical Mounts

## Rubber Parts

**Material:** NR - SBR

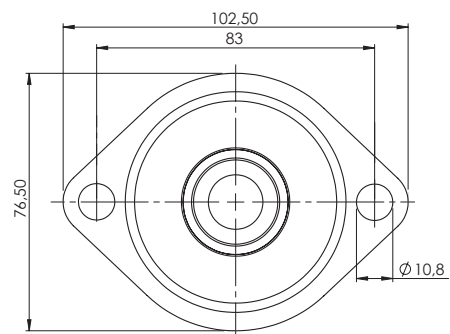
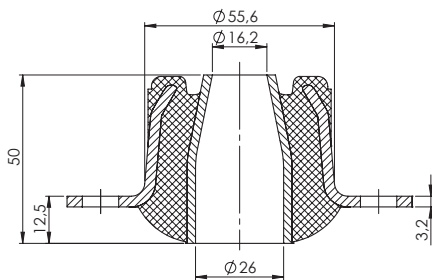
**Hardness:** 45 - 57 - 70 Shore A

**Hardness Tolerance:**  $\pm 5$  Shore A

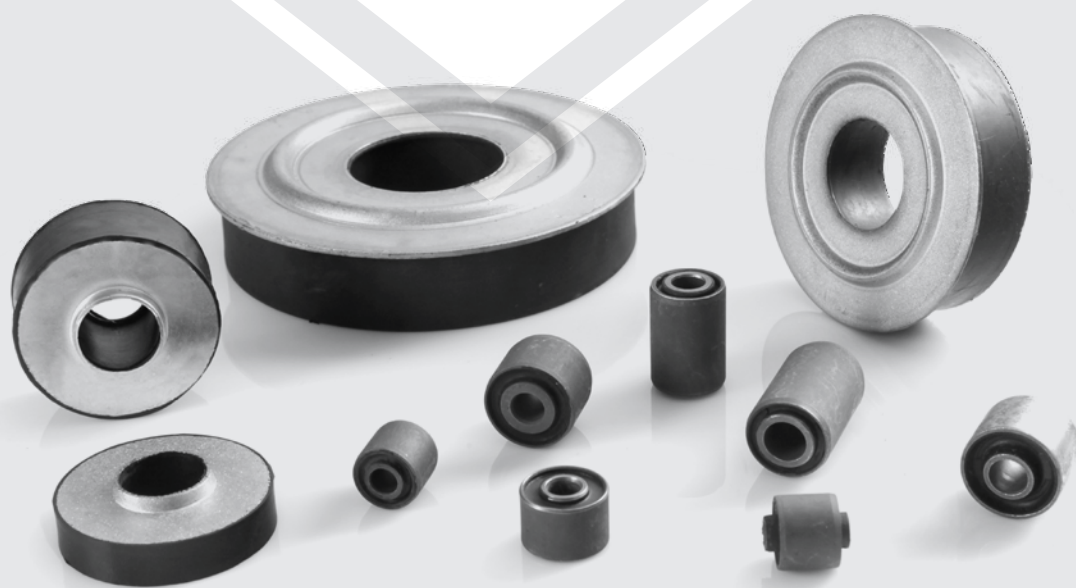
## Metal Parts

**Material:** DIN EN 10111-98

**Coating:** DIN EN 12329-Fe // Zn // C Cr+3 Zinc Coated



# BUSCHES & RING ELEMENTS



04

# BUSCHES

Busches & Ring Elements

## Rubber Parts

**Material:** NR - SBR - NBR

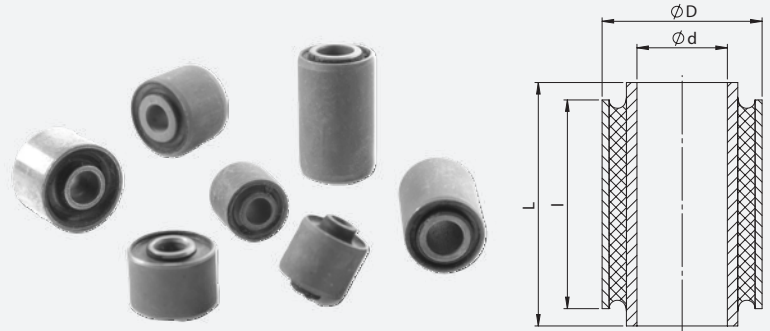
**Hardness:** 45 - 57 - 70 Shore A

**Hardness Tolerance:**  $\pm 5$  Shore A

## Metal Parts

**Material:** DIN EN 10111-98

**Coating:** Phosfat Coating



Ref Nr.	DØ	Ød	l	L
BUSCHES	mm	mm	mm	mm
BF1608-1517	16	8	15	17
BF1608-2528	16	8	25	28
BF1810-1820	18	10	18	20
BF2006-1622	20	6	16	22
BF2008-1517	20	8	15	17
BF2008-1779	20	8	17	19
BF2208-1016	22	8	10	16
BF2208-1417	22	8	14	17
BF2210-2530	22	10	25	30
BF2210-3033	22	10	30	33
BF2210-5660	22	10	56	60
BF2212-2224	22	12	22	24
BF2212-2428	22	12	24	28
BF2310-3335	23	10	33	35
BF2312-3335	23	12	33	35
BF2410-2320	24	10	23,5	20
BF2409-1617	24	9	16	17,5
BF2412-4144	24	12	41	44
BF2512-2023	25	12	20	23
BF2512-3234	25	12	32,5	34,5
BF2512-3538	25	12	35	38
BF2512-4042	25	12	40	42
BF2512-4345	25	12	43	45

Ref Nr.	DØ	Ød	l	L
BUSCHES	mm	mm	mm	mm
BF2512-4549	25	12	45	49
BF2514-4145	25	14	41	45
BF2514-5256	25	14	52	56
BF2610-1618	26	10	16	18
BF2612-3034	26	12	30	34
BF2613-7263	26	13	72,5	63,5
BF2614-3229	26	14	32	29
BF2614-4145	26	14	41	45
BF2809-2123	28	9,5	21	23
BF2810-2022	28	10	20	22
BF2814-3033	28	14	30	33
BF2912-4044	29	12	40	44
BF3010-3035	30	10	30	35
BF3012-2824	30	12	28	24
BF3208-1835	32	8	18	35
BF3210-2222	32	10	22	22
BF3210-3034	32	10	30	34
BF3214-4240	32	14	42	40
BF3216-8163	32	16	81	63
BF3213-4131	32,5	13	41	31
BF3416-3236	34	16	32	36
BF3418-3634	34	18	36	34
BF3514-3739	35	14	37	39

Ref Nr.	DØ	Ød	l	L
BUSCHES	mm	mm	mm	mm
BF3718-7161	37,5	18	71	61
BF3822-5040	38	22	50	40
BF4012-3546	40	12	35	46
BF4012-5866	40	12	58	66
BF4016-5653	40	16	56	53
BF4520-4046	45	20	40	46
BF4520-6259	45	20	62,5	59,5
BF4928-5450	49	28	54	50
BF5016-8095	50	16	80	95
BF5228-4235	52	28,8	42	35
BF5525-10289	55	25	102	89
BF5632-5550	56	32	55	50
BF6230-5060	62	30	50	60
BF6438-7568	64	38,5	75,5	68
BF6532-5232	65	32	52	32
BF6540-6868	65	40	68	68
BF6640-6868	66	40	68	68
BF8050-95100	80	50	95	100
BF8130-7068	81	30	70	68
BF9050-7080	90	50	70	80
BF10145-8494	101	45	84	94
BF180124-230220	180	124	230	220



# Type-FS

Busches & Ring Elements

## Rubber Parts

**Material:** NR - SBR

**Hardness:** 45 - 57 - 70 Shore A

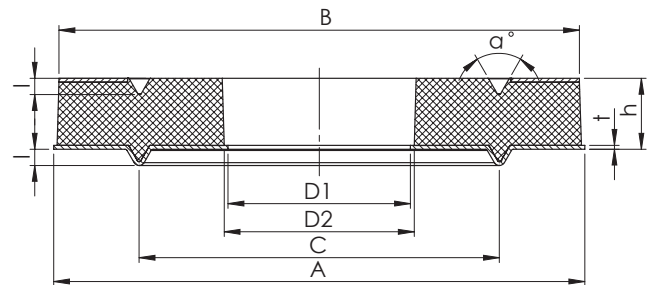
**Hardness Tolerance:**  $\pm 5$  Shore A

## Metal Parts

**Material:** DIN EN 10111-98

**Coating:** DIN EN 12329-Fe // Zn // C Cr+3 Zinc Coated

Ref Nr.	A	D1	B	D2	C	h	t	l	a°
type-FS	mm	mm	mm	mm	mm	mm	mm	mm	mm
FS10027	100	35	90	40	65	27,5	1,5	3,5	60
FS11020	110	30	102	38	76	20,8	1,75	3,5	60
FS11025	110	30	102	38	76	25,8	1,75	3,5	60
FS11015	110	40	102	44	76	15,8	1,75	3,5	60
FS15316	153	55	145	60	102	16	2	5	60
FS15330	153	55	145	60	102	30	2	5	60



# Type-RP

Busches & Ring Elements

## Rubber Parts

**Material:** NR - SBR

**Hardness:** 45 - 57 - 70 Shore A

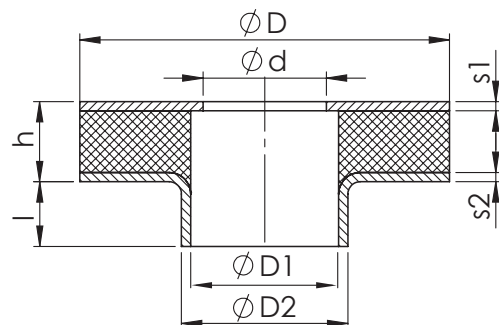
**Hardness Tolerance:**  $\pm 5$  Shore A

## Metal Parts

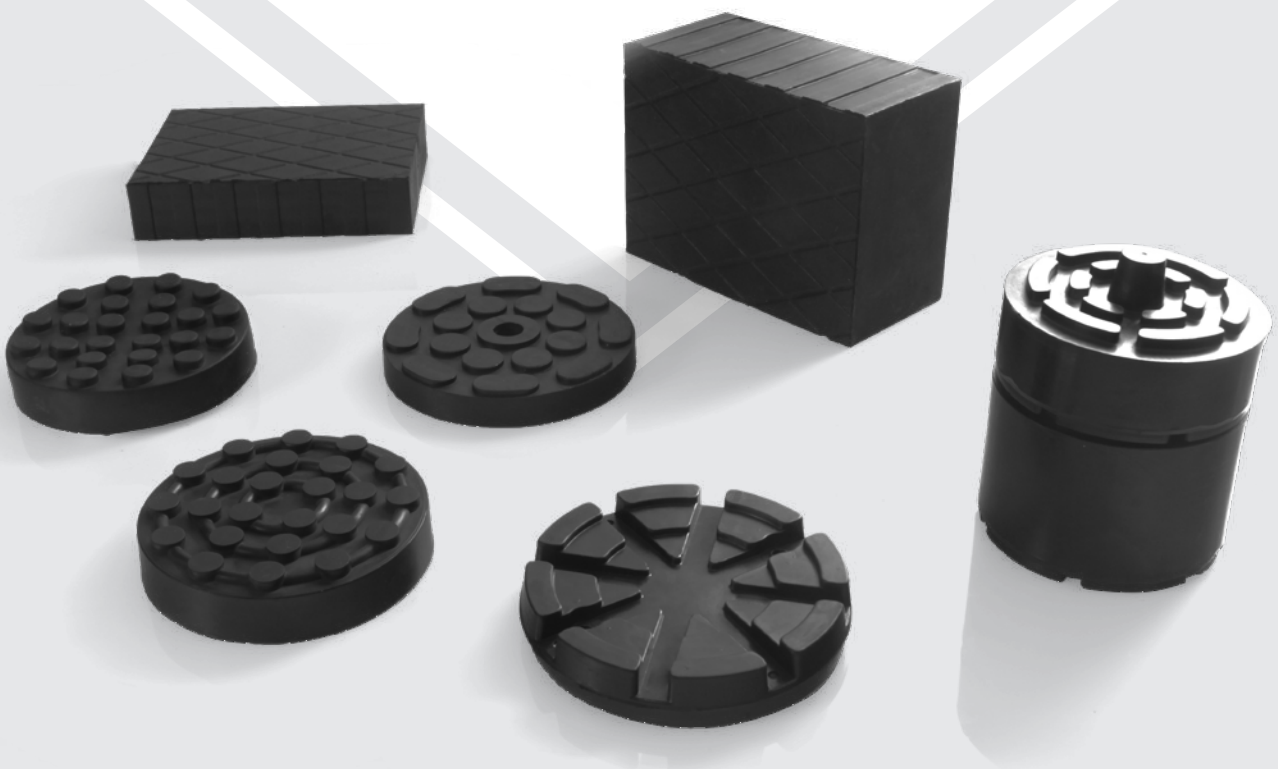
**Material:** DIN EN 10111-98

**Coating:** DIN EN 12329-Fe // Zn // C Cr+3 Zinc Coated

Ref Nr.	$\varnothing D$	$\varnothing d$	$\varnothing D1$	$\varnothing D2$	h	l	s1	s2
type-RP	mm	mm	mm	mm	mm	mm	mm	mm
RP36106	36	6,2	6,2	15	10	6	1	1
RP36104	36	8,5	12	18	10	4	1	1
RP36083	36	16,6	16,6	20	8	3	1	1
RP601310	60	20,5	24	27	13	10,5	1,5	1,5
RP60134	60	20,5	24	27	13	4	1,5	1,5
RP60304	60	20,5	24	27	30	4	1,5	1,5



# RUBBER PADS

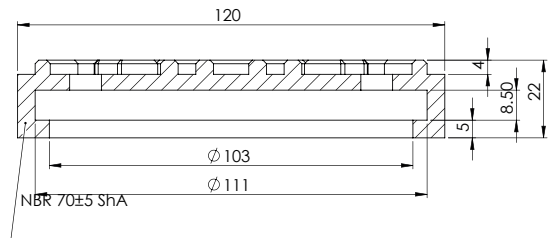
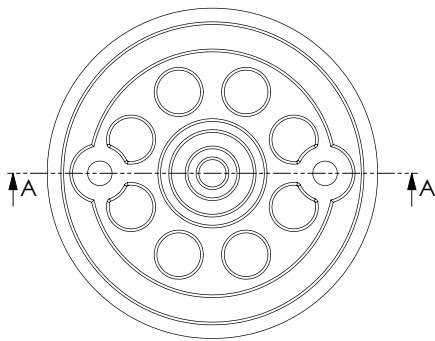


# TP-113

Rubber Pads

## Rubber Parts

**Material:** NR - SBR - NBR  
**Hardness:** 45 - 57 - 70 Shore A  
**Hardness Tolerance:** W



# TP-127

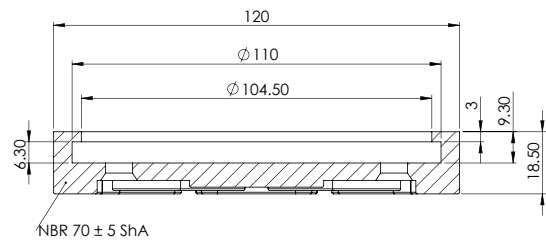
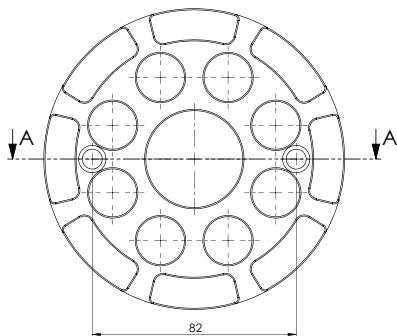
Rubber Pads

## Rubber Parts

**Material:** NR - SBR - NBR  
**Hardness:** 45 - 57 - 70 Shore A  
**Hardness Tolerance:** ± 5 Shore A

## Metal Parts

**Material:** DIN EN 10111-98  
**Coating:** DIN EN 12329-Fe // Zn // C Cr+3 Zinc Coated



# TP-10

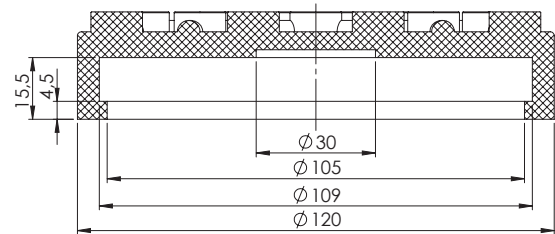
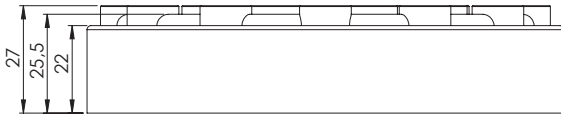
Rubber Pads

## Rubber Parts

**Material:** NR - SBR - NBR

**Hardness:** 45 - 57 - 70 Shore A

**Hardness Tolerance:** W



# TP-12

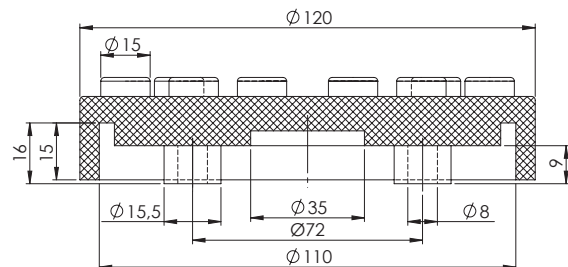
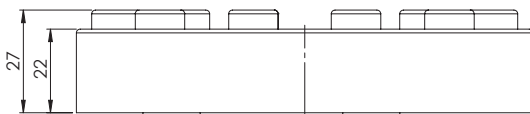
Rubber Pads

## Rubber Parts

**Material:** NR - SBR - NBR

**Hardness:** 45 - 57 - 70 Shore A

**Hardness Tolerance:**  $\pm 5$  Shore A



## TP-125

Rubber Pads

### Rubber Parts

**Material:** NR - SBR - NBR

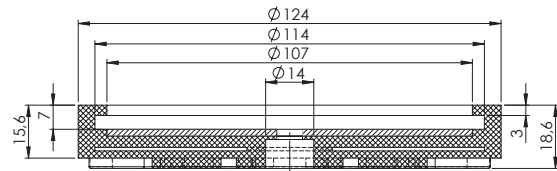
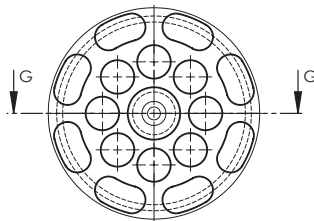
**Hardness:** 45 - 57 - 70 Shore A

**Hardness Tolerance:**  $\pm 5$  Shore A

### Metal Parts

**Material:** DIN EN 10111-98

**Coating:** DIN EN 12329-Fe // Zn // C Cr+3 Zinc Coated



## TP-124

Rubber Pads

### Rubber Parts

**Material:** NR - SBR - NBR

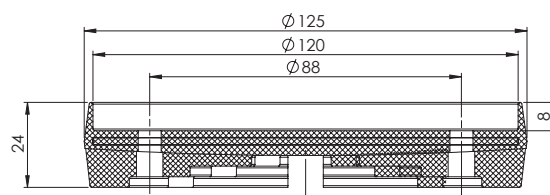
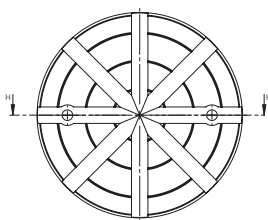
**Hardness:** 45 - 57 - 70 Shore A

**Hardness Tolerance:**  $\pm 5$  Shore A

### Metal Parts

**Material:** DIN EN 10111-98

**Coating:** DIN EN 12329-Fe // Zn // C Cr+3 Zinc Coated



## TP 120-MS

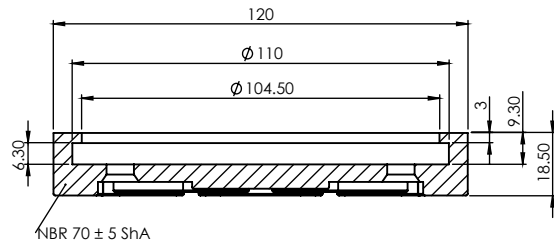
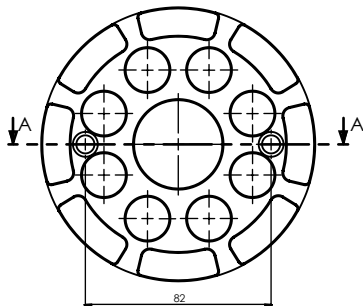
Rubber Pads

### Rubber Parts

**Material:** NR - SBR - NBR  
**Hardness:** 45 - 57 - 70 Shore A  
**Hardness Tolerance:**  $\pm 5$  Shore A

### Metal Parts

**Material:** DIN EN 10111-98  
**Coating:** DIN EN 12329-Fe // Zn // C Cr+3 Zinc Coated



## TP 120-ZM

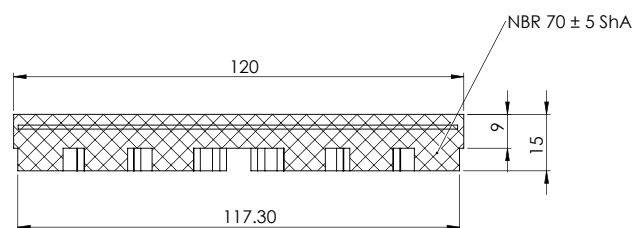
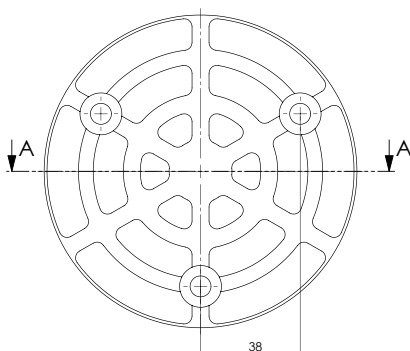
Rubber Pads

### Rubber Parts

**Material:** NR - SBR - NBR  
**Hardness:** 45 - 57 - 70 Shore A  
**Hardness Tolerance:**  $\pm 5$  Shore A

### Metal Parts

**Material:** DIN EN 10111-98  
**Coating:** DIN EN 12329-Fe // Zn // C Cr+3 Zinc Coated



## Type-ST

Rubber Pads

### Rubber Parts

**Material:** NR - SBR

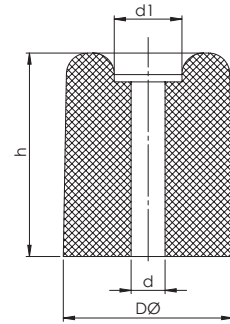
**Hardness:** 45 - 57 - 70 Shore A

**Hardness Tolerance:**  $\pm 5$  Shore A

Ref Nr.	DØ	h	d	d1
type-ST	mm	mm	mm	mm
ST26295	26	29	5	10
ST28256	28	25	6	14
ST30326	30	32	6	17
ST40256	40	25	6	18
ST40257	40	25	7	20
ST40316	40	31	6	17
ST40466	40	46	6	15



### Colour Options



## Type-STC

Rubber Pads

### Rubber Parts

**Material:** NR - SBR

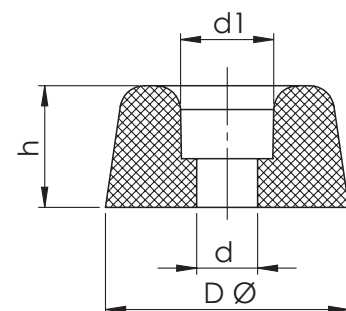
**Hardness:** 45 - 57 - 70 Shore A

**Hardness Tolerance:**  $\pm 5$  Shore A

Ref Nr.	DØ	h	d	d1
type-STC	mm	mm	mm	mm
STC20105	20	10	5	7
STC22104	22	10	4,5	7
STC25104	25	10	4,5	7



### Colour Options





## Type-EL

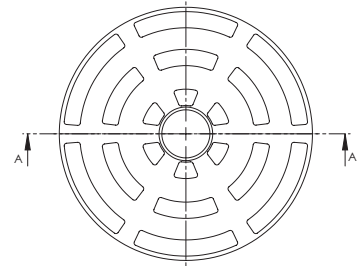
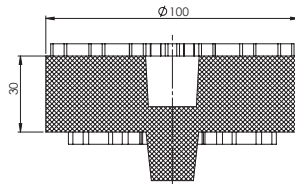
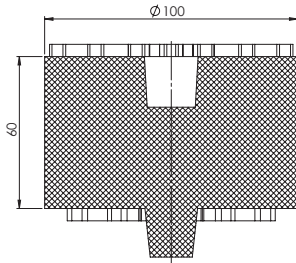
Rubber Pads

### Rubber Parts

**Material:** NR - SBR - NBR

**Hardness:** 45 - 57 - 70 Shore A

**Hardness Tolerance:**  $\pm 5$  Shore A



## Type-BL

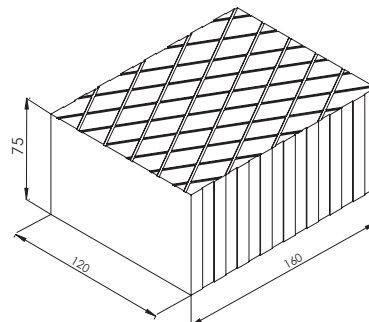
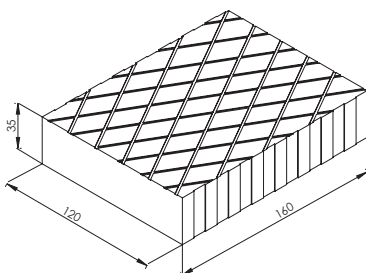
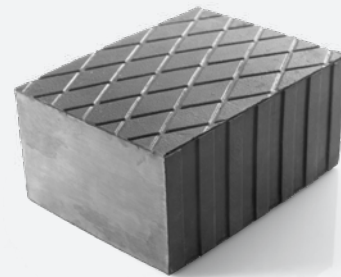
Rubber Pads

### Rubber Parts

**Material:** NR - SBR - NBR

**Hardness:** 45 - 57 - 70 Shore A

**Hardness Tolerance:**  $\pm 5$  Shore A



## Type-RB

Rubber Pads

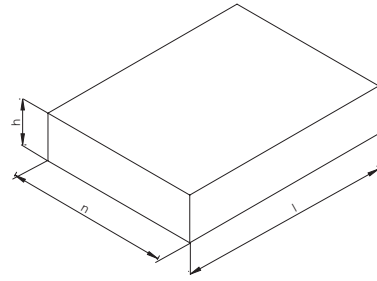
### Rubber Parts

**Material:** NR - SBR - EPDM

**Hardness:** 45 - 57 - 70 Shore A

**Hardness Tolerance:**  $\pm 5$  Shore A

Ref Nr.	n	h	l
type-RB	mm	mm	mm
RB10102	1000	1000	20
RB10103	1000	1000	30
RB10104	1000	1000	40
RB15102	1500	1000	20
RB15103	1500	1000	30
RB15104	1500	1000	40
RB15152	1500	1500	20
RB15153	1500	1500	30
RB15154	1500	1500	40



## Type-RM

Rubber Pads

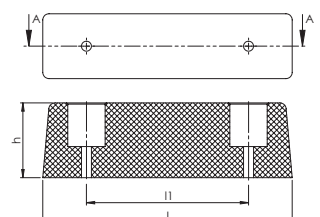
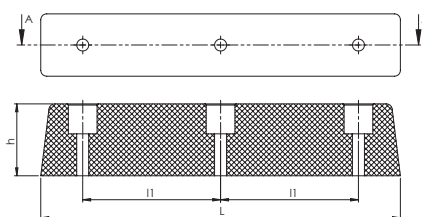
### Rubber Parts

**Material:** NR - SBR

**Hardness:** 45 - 57 - 70 Shore A

**Hardness Tolerance:**  $\pm 5$  Shore A

Ref Nr.	h	L	B	l1
type-RM	mm	mm	mm	mm
RM 60200	60	200	52	120
RM 80400	80	200	52	120
RM 60300	60	300	52	115
RM 80300	80	300	52	115
RM 60400	60	400	52	165
RM 80400	80	400	52	165



# LEVELLING MACHINE FEET



## Type-BM

Levelling Machine Feet

### Rubber Parts

**Material:** NBR

**Hardness:** 70 Shore A

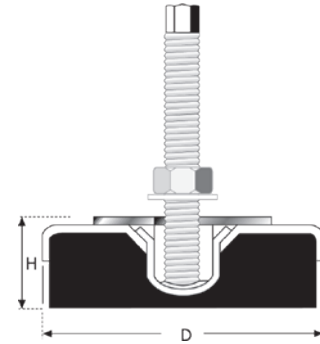
**Hardness Tolerance:**  $\pm 5$  Shore A

### Metal Parts

**Material:** DIN EN 10111-98

**Coating:** DIN EN 12329-Fe // Zn // C Cr+3 Zinc Coated

Ref Nr.	D	m	l	H	Load kg/pcs
type-BM	mm	metric	Bolt Lenght	mm	kg
BM1	80	M12	120	38	500
BM2	120	M16	120	45	1000
BM3	160	M20	170	53	2000
BM4	160	M20	170	54	4000
BM5	200	M20	170	56	5500



## Type-BLS

Levelling Machine Feet

### Rubber Parts

**Material:** NBR

**Hardness:** 80 Shore A

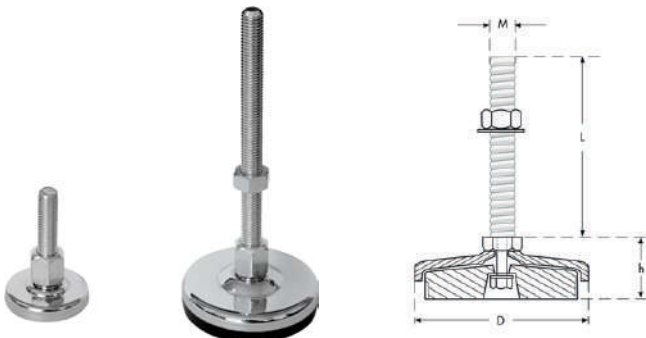
**Hardness Tolerance:**  $\pm 5$  Shore A

### Metal Parts

**Material:** DIN EN 10111-98

**Coating:** DIN EN 12329-Fe // Zn // C Cr+3 Zinc Coated

Ref Nr.	D	m	l	h	Load kg/pcs
type-BLS	mm	metric	Bolt Lenght	mm	kg
BLS 1	50	M10	50	40	300
BLS 2	50	M10	100	40	300
BLS 3	50	M12	50	40	300
BLS 4	50	M12	100	40	300
BLS 5	50	M16	100	40	300
BLS 6	80	M10	100	40	750
BLS 7	80	M10	150	40	750
BLS 8	80	M12	100	40	750
BLS 9	80	M12	150	40	750
BLS 10	80	M16	100	40	750
BLS 11	80	M16	150	40	750
BLS 12	80	M20	100	40	750
BLS 13	80	M20	150	40	750



## Type-BESL

Levelling Machine Feet

### Rubber Parts

**Material:** NBR

**Hardness:** 80 Shore A

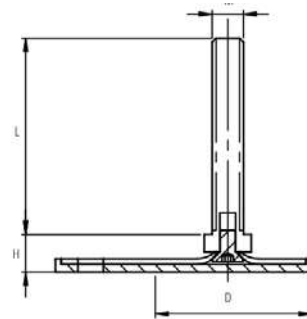
**Hardness Tolerance:**  $\pm 5$  Shore A

### Metal Parts

**Material:** DIN EN 10111-98

**Coating:** DIN EN 12329-Fe // Zn // C Cr+3 Zinc Coated

Ref Nr.D	D	m	L	hL	oad kg/pcs
type-BESL	mm	metric	mm	mm	kg
BESL80 / 1210	80	M12	100	19	1000
BESL80 / 1610	80	M16	100	19	1000
BESL80 / 2015	80	M20	150	19	1000



## Type-BLMS

Levelling Machine Feet

### Rubber Parts

**Material:** NBR

**Hardness:** 80 Shore A

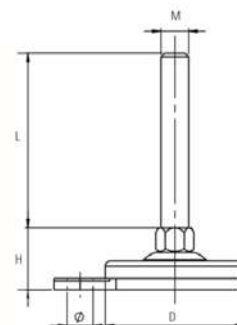
**Hardness Tolerance:**  $\pm 5$  Shore A

### Metal Parts

**Material:** DIN EN 10111-98

**Coating:** DIN EN 12329-Fe // Zn // C Cr+3 Zinc Coated

Ref Nr.D	D	m	L	hL	oad kg/pcs
type-BLm	m	metric	mm	mm	kg
BLMS80 / 1050	80	M10	03	5	750
BLMS80 / 1010	80	M10	100	35	750
BLMS80 / 1215	80	M12	50	35	750
BLMS80 / 1210	80	M12	100	35	750
BLMS80 / 1215	80	M12	150	35	750
BLMS80 / 1610	80	M16	100	35	750
BLMS80 / 1615	80	M16	150	35	750
BLMS80 / 2010	80	M20	100	35	750
BLMS80 / 2015	80	M20	150	35	750



## Type-BED

Levelling Machine Feet

### Rubber Parts

**Material:** NBR

**Hardness:** 80 Shore A

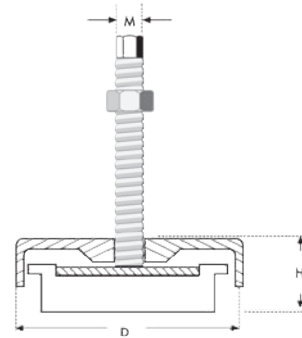
**Hardness Tolerance:**  $\pm 5$  Shore A

### Metal Parts

**Material:** CAST IRON

**Coating:** Base Painted

Ref Nr.	D	m	H	Leveling Adj.	Load kg/pcs
type-BED	mm	metric	mm	mm	kg
BED1	70	M12	40	10	400
BED2	110	M16	42	15	600
BED3	150	M16	45	15	1,000
BED4	160	M20	45	18	1,500



## Type-BSL

Levelling Machine Feet

### Rubber Parts

**Material:** NBR

**Hardness:** 70 Shore A

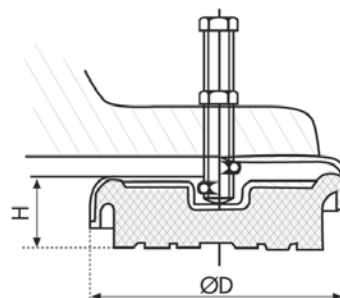
**Hardness Tolerance:**  $\pm 5$  Shore A

### Metal Parts

**Material:** DIN EN 10111-98

**Coating:** Yellow Painted

Ref Nr.	ØD	M	H	Leveling Adj.	Load kg/pcs
type-BSL	mm	metric	mm	mm	kg
BSL 08012	80	M12	32	8	300
BSL 08016	80	M16	32	8	400
BSL 12012	120	M12	35	12	700
BSL 12016	120	M16	35	12	800
BSL 16016	160	M16	40	12	1200
BSL 16020	160	M20	40	12	1500



## Type-BAL

Levelling Machine Feet

### Rubber Parts

**Material:** NBR

**Hardness:** 80 Shore A

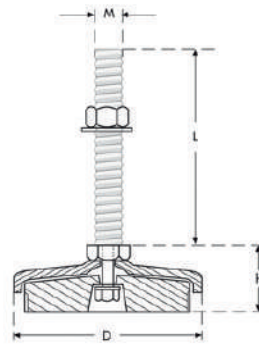
**Hardness Tolerance:**  $\pm 5$  Shore A

### Metal Parts

**Material:** DIN EN 10111-98

**Coating:** Chrome Plated

Ref Nr.	D	m	l	h	Load kg/pcs
type-BAL	mm	metric	mm	mm	kg
BAL 08 1210	80	M12	100	50	600
BAL 08 1610	80	M16	100	50	800
BAL 12 1610	120	M16	100	55	1,000
BAL 12 2015	120	M20	150	55	1,200
BAL 16 2015	160	M20	150	60	2,000
BAL 16 2415	160	M24	150	60	3,000



## Type-BL

Levelling Machine Feet

### Rubber Parts

**Material:** NBR

**Hardness:** 80 Shore A

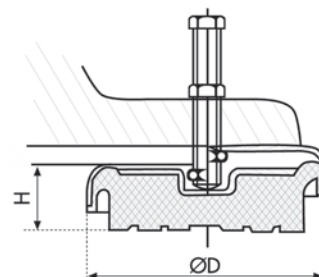
**Hardness Tolerance:**  $\pm 5$  Shore A

### Metal Parts

**Material:** DIN EN 10111-98

**Coating:** Chrome Plated

Ref Nr.	D	m	l	h	Load kg/pcs
type-BL	mm	metric	mm	mm	kg
BL080/ 1010	80	M10	100	35	300
BL080 / 1210	80	M12	100	35	400
BL080 / 1611	80	M16	110	35	500
BL 20/ 1210	120	M12	100	45	800
BL 20/1611	120	M16	110	45	1000
BL 20/2015	120	M20	150	45	1200
BL 60/1610	160	M16	100	45	1200
BL 60/2015	160	M20	150	45	1500





# Type-BEL

Levelling Machine Feet

## Rubber Parts

**Material:** NBR

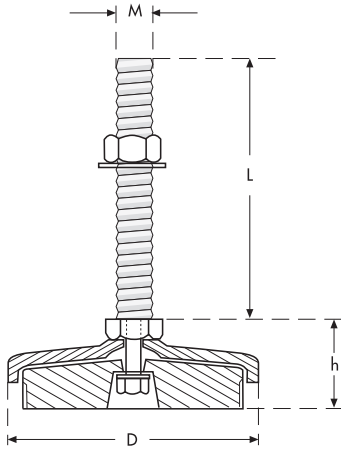
**Hardness:** 70 Shore A

**Hardness Tolerance:**  $\pm 5$  Shore A

## Metal Parts

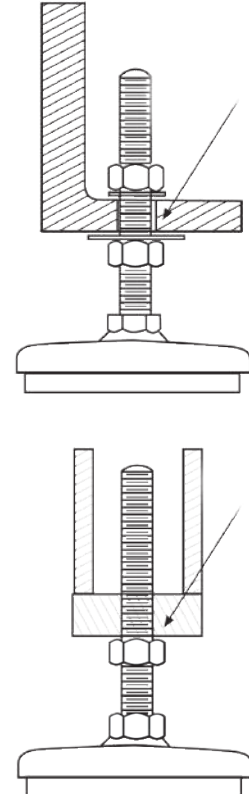
**Material:** DIN EN 10111-98

**Coating:** Chrome Plated



Ref Nr.	D	m	L	h	Load kg/pcs
type-BEL	mm	metric	mm	mm	kg
BEL 04 1050	40	M10	50	26	100
BEL 04 1250	40	M20	50	28	100
BEL 06 1050	65	M10	50	28	250
BEL 06 1270	65	M20	70	30	300
BEL 06 1610	65	M16	100	32	400
BEL 08 1210	80	M12	100	42	400
BEL 08 1610	80	M16	100	45	500
BEL 08 2010	80	M20	100	45	600
BEL 10 1210	100	M12	100	42	350
BEL 10 1610	100	M16	100	45	600
BEL 10 2010	100	M10	150	45	800
BEL 12 1210	120	M12	100	45	500
BEL 12 1610	120	M16	100	47	800
BEL 12 2015	120	M20	150	50	1,000
BEL 16 1610	160	M16	100	50	2,000
BEL 16 2015	160	M20	150	53	3,000
BEL 20 2015	200	M20	150	62	4,000

BAĞLANTI ŞEKİLLERİ



## Type-BEP10

Levelling Machine Feet

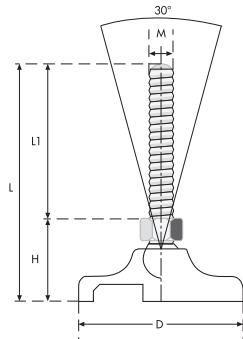
### Plastic Parts

**Material:** Reinforced Polyamide

### Metal Parts

**Material:** DIN EN 10111-98

**Coating:** Chrome Plated



Ref Nr.	D	M	L	L1	H	Load kg/pcs
type-BEP10	mm	metric	mm	mm	mm	kg
BEP10 1050	100	M10	100	50	50	800
BEP10 1010	100	M10	150	100	50	800
BEP10 1250	100	M12	100	50	50	800
BEP10 1210	100	M12	150	100	50	800
BEP10 1660	100	M16	110	60	50	800
BEP10 1611	100	M16	160	110	50	800
BEP10 1615	100	M16	200	150	50	800
BEP10 1620	100	M16	250	200	50	800
BEP10 2011	100	M20	160	110	50	800
BEP10 2015	100	M20	200	150	50	800
BEP10 2020	100	M20	250	200	50	800
BEP10 2411	100	M24	160	110	50	800

## Type-BEP11

Levelling Machine Feet

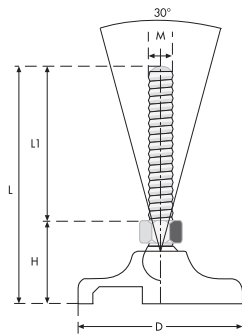
### Plastic Parts

**Material:** Reinforced Polyamide

### Metal Parts

**Material:** DIN EN 10111-98

**Coating:** Chrome Plated



Ref Nr.	D	M	L	L1	H	Load kg/pcs
type-BEP11	mm	metric	mm	mm	mm	kg
BEP11 1050	110	M10	100	50	50	1,000
BEP11 1010	110	M10	150	100	50	1,000
BEP11 1250	110	M12	100	50	50	1,000
BEP11 1210	110	M12	150	100	50	1,000
BEP11 1660	110	M16	110	60	50	1,000
BEP11 1611	110	M16	160	110	50	1,000
BEP11 1615	110	M16	200	150	50	1,000
BEP11 1620	110	M16	250	200	50	1,000
BEP11 2011	110	M20	160	110	50	1,000
BEP11 2015	110	M20	200	150	50	1,000
BEP11 2020	110	M20	250	200	50	1,000
BEP11 2411	110	M24	160	110	50	1,000

# Type-BEP12 Levelling Machine Feet

## Plastic Parts

**Material:** Reinforced Polyamide

## Metal Parts

**Material:** DIN EN 10111-98

**Coating:** Chrome Plated

Ref Nr.	D	M	L	L1	H	Load kg/pcs
type-BEP12	mm	metric	mm	mm	mm	kg
BEP12 1610	120	M16	170	100	70	1,500
BEP12 1616	120	M16	230	160	70	1,500
BEP12 2010	120	M20	170	100	70	1,500
BEP12 2016	120	M20	230	160	70	1,500
BEP12 2416	120	M24	230	160	70	1,500



# Type-BEP50 Levelling Machine Feet

## Plastic Parts

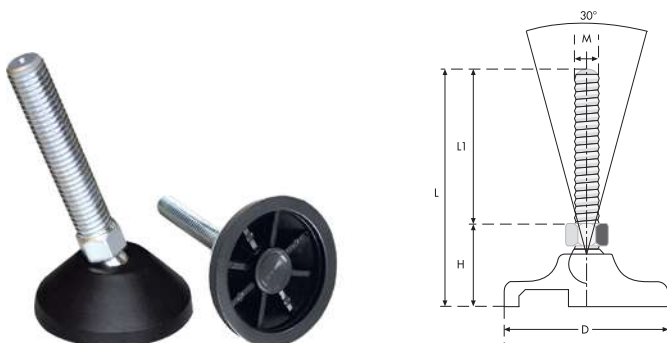
**Material:** Reinforced Polyamide

## Metal Parts

**Material:** DIN EN 10111-98

**Coating:** Chrome Plated

Ref Nr.	D	M	L	L1	H	Load kg/pcs
type-BEP50	mm	metric	mm	mm	mm	kg
BEP50 0845	50	M8	75	45	30	450
BEP50 0860	50	M8	90	60	30	450
BEP50 1045	50	M10	75	45	30	450
BEP50 1060	50	M10	90	60	30	450
BEP50 1075	50	M10	105	75	30	450
BEP50 1090	50	M10	120	90	30	450
BEP50 1012	50	M10	150	120	30	450
BEP50 1245	50	M12	75	45	30	450
BEP50 1260	50	M12	90	60	30	450
BEP50 1275	50	M12	105	75	30	450
BEP50 1290	50	M12	120	90	30	450
BEP50 1212	50	M12	150	120	30	450



## Type-BEP60

Levelling Machine Feet

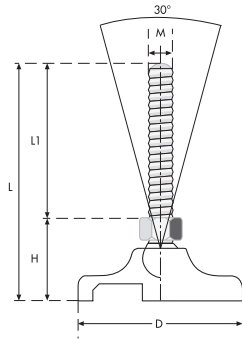
### Plastic Parts

**Material:** Reinforced Polyamide

### Metal Parts

**Material:** DIN EN 10111-98

**Coating:** Chrome Plated



Ref Nr.	D	M	L	L1	H	Load kg/pcs
type-BEP60	mm	metric	mm	mm	mm	kg
BEP60 1050	60	M10	100	50	50	500
BEP60 1010	60	M10	150	100	50	500
BEP60 1250	60	M12	100	50	50	500
BEP60 1210	60	M12	150	100	50	500
BEP60 1660	60	M16	110	60	50	500
BEP60 1611	60	M16	160	110	50	500
BEP60 1615	60	M16	200	150	50	500
BEP60 1620	60	M16	250	200	50	500
BEP60 2011	60	M20	160	110	50	500
BEP60 2015	60	M20	200	150	50	500
BEP60 2020	60	M20	250	200	50	500
BEP60 2411	60	M24	160	110	50	500

## Type-BEP80

Levelling Machine Feet

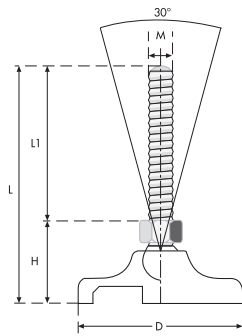
### Plastic Parts

**Material:** Reinforced Polyamide

### Metal Parts

**Material:** DIN EN 10111-98

**Coating:** Chrome Plated



Ref Nr.	D	M	L	L1	H	Load kg/pcs
type-BEP80	mm	metric	mm	mm	mm	kg
BEP80 1050	80	M10	100	50	50	600
BEP80 1010	80	M10	150	100	50	600
BEP80 1250	80	M12	100	50	50	600
BEP80 1210	80	M12	150	100	50	600
BEP80 1660	80	M16	110	60	50	600
BEP80 1611	80	M16	160	110	50	600
BEP80 1615	80	M16	200	150	50	600
BEP80 1620	80	M16	250	200	50	600
BEP80 2011	80	M20	160	110	50	600
BEP80 2015	80	M20	200	150	50	600
BEP80 2020	80	M20	250	200	50	600
BEP80 2411	80	M24	160	110	50	600

## Type-BEP81

Levelling Machine Feet

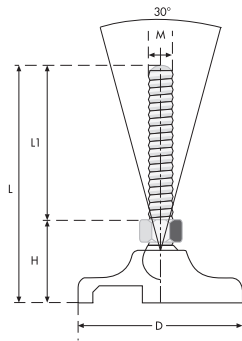
### Plastic Parts

**Material:** Reinforced Polyamide

### Metal Parts

**Material:** DIN EN 10111-98

**Coating:** Chrome Plated



Ref Nr.	D	M	L	L1	H	Load kg/pcs
type-BEP81	mm	metric	mm	mm	mm	kg
BEP81 0845	81	M8	75	45	30	600
BEP81 0860	81	M8	90	60	30	600
BEP81 1045	81	M10	75	45	30	600
BEP81 1060	81	M10	90	60	30	600
BEP81 1075	81	M10	105	75	30	600
BEP81 1090	81	M10	120	90	30	600
BEP81 1012	81	M10	150	120	30	600
BEP81 1245	81	M12	75	45	30	600
BEP81 1260	81	M12	90	60	30	600
BEP81 1275	81	M12	105	75	30	600
BEP81 1290	81	M12	120	90	30	600
BEP81 1212	81	M12	150	120	30	600

## Type-BEP100

Levelling Machine Feet

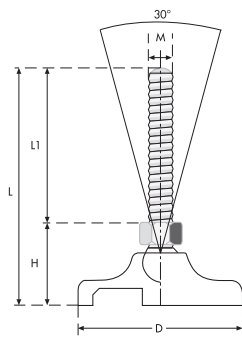
### Plastic Parts

**Material:** Reinforced Polyamide

### Metal Parts

**Material:** DIN EN 10111-98

**Coating:** Chrome Plated



Ref Nr.	D	M	L	L1	H	Load kg/pcs
type-BEP100	mm	metric	mm	mm	mm	kg
BEP100 0845	100	M8	85	45	40	800
BEP100 0860	100	M8	100	60	40	800
BEP100 1045	100	M10	85	45	40	800
BEP100 1060	100	M10	100	60	40	800
BEP100 1075	100	M10	115	75	40	800
BEP100 1090	100	M10	130	90	40	800
BEP100 1012	100	M10	160	120	40	800
BEP100 1245	100	M12	85	45	40	800
BEP100 1260	100	M12	100	60	40	800
BEP100 1275	100	M12	115	75	40	800
BEP100 1290	100	M12	130	90	40	800
BEP100 1212	100	M12	160	120	40	800

## Molded Rubber Parts

We currently produce grommets, o-rings, bellows, stoppers and custom rubber parts according to technical drawing provided by our customers using following elastomers.

**NR 30-90 Shore A**

**SBR 35-90 Shore A**

**EPDM 30-90 Shore A**

**NBR 40-90 Shore A**

**CR 40-90 Shore A**



# Metal Parts

We supply machining, cold metal forming and laser cut items.

## Materials - Material

- Steel
- Aluminum
- Brass
- Copper
- Stainless steel
- Auotomat steel



# Plastic Parts

We have the knowledge & experience required to custom machine advanced engineering plastic components.

Capabilites;

2 x ANDA AD200 CNC Lathe

Maximum machining diameter : 300 mm

Our range of materials;

- POM
- Poliamid
- PA 66
- PA6
- PTFE
- Kestamid







## **BEFA LTD - TÜRKİYE**

Minareliçavuş OSB Gürgen Cad. No:12  
Nilüfer / BURSA

☎ +90 (224) 482 44 72

☎ +90 (224) 482 42 73

✉ info@befa.com.tr

🌐 www.befa.com.tr

## **BEFA GmbH - GERMANY**

Hermesstraße 1 D-86836- Graben

☎ 08232 997 32 81

☎ 08232 995 24 31

✉ info@befa-gm.de

🌐 www.befa-gm.de